

## LEVEL GAUGE & SAMPLE COCK VALVE

### Level Gauge Valve with Ferrule End

**Application-** Used to detect the level of liquid inside a storage tank.

**Size Availability-** 1"

**Material Availability-** SS 316L

**Connection Availability-** Ferrule End



**Upper Valve**



**Lower Valve**

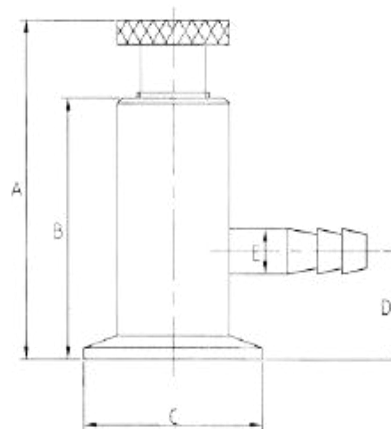
### Sample Cock Valve with Ferrule End

**Method of Operation-** Turning the handle allows collection of samples.

**Size Availability-** 1"

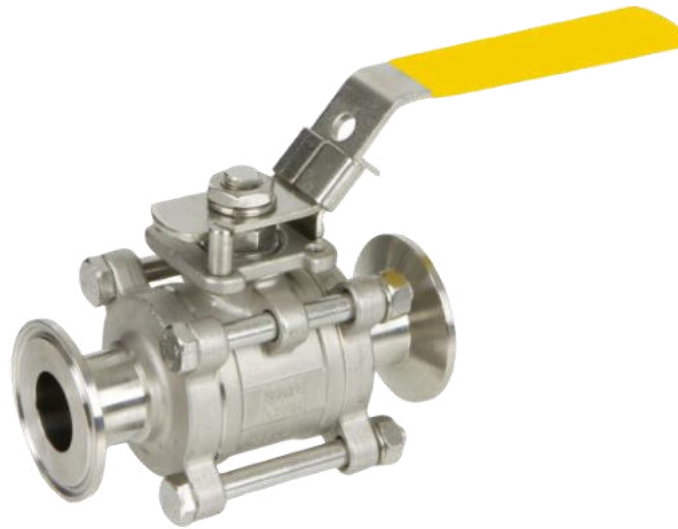
**Material Availability-** SS 316L

**Connection Availability-** Ferrule End



Size	A	B	C	D	E
1"	91.5	70	50.5	29	12
1.5"	91.5	70	50.5	29	12

## SANITARY THREE-PIECE BODY BALL VALVE



### **Method of Operation-**

Turning the handle turns the valve ball either parallel or perpendicular to the flow to control or shut off flow. Can be mounted to most commercial actuators due.

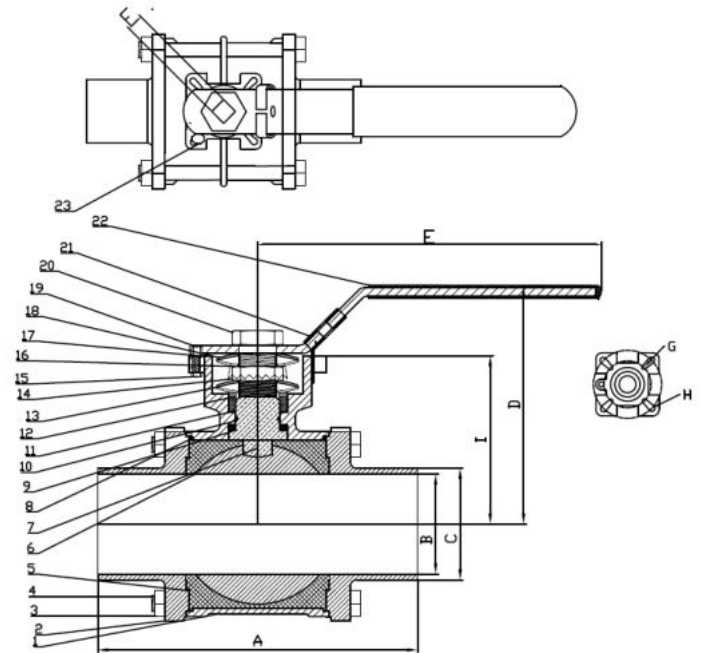
**Size Availability-** 0.5" to 4"

**Material Availability-** Body in SS 304 and SS 316L, Gasket in PTFE

**Connection Availability-** Weld Ends, Ferrule Ends

# THREE-PIECE BODY BALL VALVE

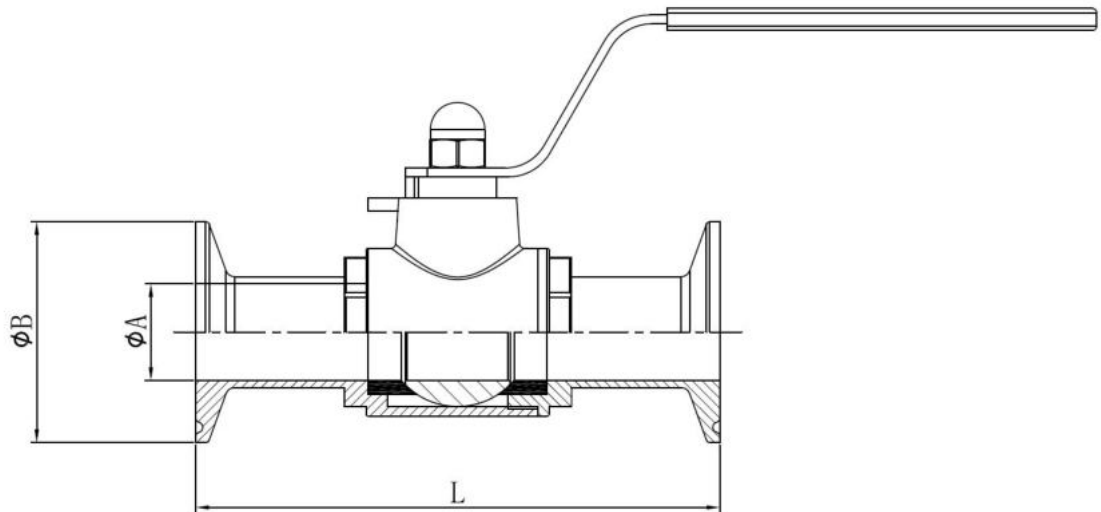
No.	Part Name	Material
1	Body	ASTM A351 CF8M
2	Cap	ASTM-A351 CF8M
3	Hex Nut	304
4	Bolt	304
5	Seat	PTFE
6	Ball	A351 CF8M
7	Stem	316
8	Stem Packing	PTFE
9	Ring	PTFE
10	O-Ring	Viton
11	Thrust Washer	PTFE
12	Gasket	PTFE
13	Butterfly Spring	304
14	Hex Nut	304
15	Hex Nut	304
16	Washer	304
17	Bolt	304
18	Butterfly Spring	304
19	Handle	304
20	Handle Nut	304
21	Lock Washer	304
22	Handle Cover	Plastic
23	Stop Pin	304



## Three-Piece Body Ball Valve Ferrule & Weld Ends

Size	A	B	C Weld	C Ferrule	D	E	F	G	H	I	Torque
0.5"	90.5	9.4	12.7	25.2	64	131	9	F03	F04	37	4~10
0.75"	103.4	15.75	19.5	25.2	68	131	9	F03	F04	43	4~10
1"	114.2	22.1	25.4	50.5	86	169	11	F04	F05	51	5~15
1.5"	136.7	34.8	38.1	50.5	122.5	213	14	F05	F07	71	10~25
2"	153.2	47.5	50.8	64	122.5	213	14	F05	F07	79	15~30
2.5"	167.3	60.2	63.5	77.5	139.5	213	14	F05	F07	94	20~35
3"	192.3	82.9	76.2	91	165	320	17	F07	F10	109.5	40~65
4"	239.5	97.4	101.6	119	177	320	17	F07	F10	123	40~80

## TWO-PIECE BODY BALL VALVE



**Two-Piece Body Ball Valve**

Size	$\phi A$	$\phi B$	L
<b>0.5"</b>	9.4	12.7	74
<b>0.75</b>	15.8	25	99.5
<b>1"</b>	22.1	50.5	110
<b>1.5"</b>	34.8	50.5	134
<b>2"</b>	47.5	64	156.5
<b>2.5"</b>	60.2	77.5	170
<b>3"</b>	72.9	91	195
<b>4"</b>	97.4	119	240

# BUTTERFLY VALVE



## Method of Operation-

Turning the handle turns the disc either parallel or perpendicular or anywhere in between to control the flow.

Can be equipped with an Actuator to be controlled by air, spring, or electric.

**Size Availability-** 0.5" to 4", DN25 to DN100

**Material Availability-** Body in SS 304 and SS 316L, Gaskets in EPDM, Silicone, or BUNA

**Connection Availability-** Weld Ends, Ferrule Ends, other Sanitary Union connections

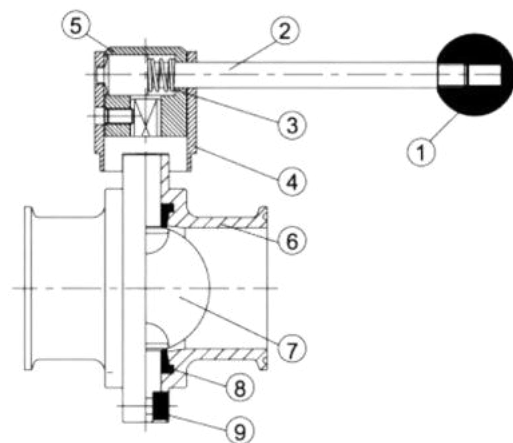
**Pressure Rating-** Up to 9.5 bar, decreases along with size

## Torque Required for Full Open and Close-

1"	1.5"	2"	2.5"	3"	4"	6"
9.8Nm	9.8Nm	13Nm	15Nm	20Nm	30Nm	70Nm

## Components List:

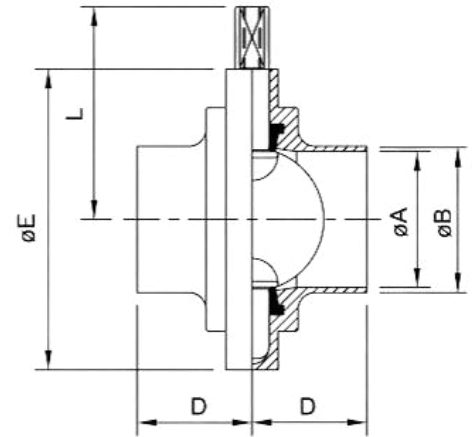
No.	Name
1	Knob
2	Steel Bar
3	Spring ST.ST
4	ST.ST
5	Holder
6	Body
7	Disc
8	EPDM Rubber Seat
9	Screw Bolt



# BUTTERFLY VALVE

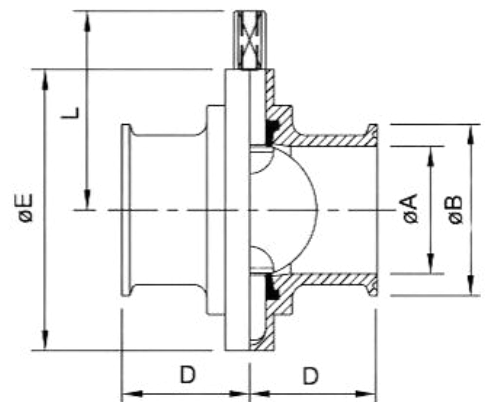
## Butterfly Valve with Weld Ends

Size	øA	øB	D	øE	L
0.5"	9.5	12.7	23	79	49.5
0.75	15.8	19.50	23	79	49.5
1"	22.1	25.4	23.5	79	49.5
1.5"	34.8	38.1	23.5	85	52.5
2"	47.5	50.8	26	100	60
2.5"	60.2	63.5	27	115	67.5
3"	72.2	76.2	28	127	73.5
4"	97.6	101.6	30	156	88
6"	146.8	152.4	40.5	215	142



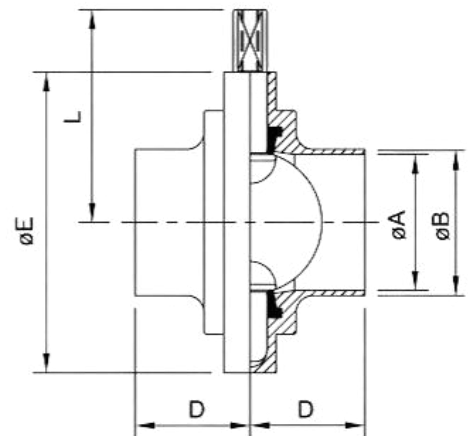
## Butterfly Valve with Ferrule Ends

Size	øA	øB	D	øE	L
0.5"	9.5	25.2	35	79	49.5
0.75	15.8	25.2	35	79	49.5
1"	22.1	50.5	35	79	49.5
1.5"	34.8	50.5	35	85	52.5
2"	47.5	64.0	37	100	60
2.5"	60.2	77.5	38	115	67.5
3"	72.2	91.0	39	127	73.5
4"	97.6	119.0	45	156	88
6"	146.8	166.8	62.2	215	142



## DIN Butterfly Valve with Weld Ends

Size	øA	øB	D	øE	L
DN25	26	29	23.5	79	49.5
DN32	32	35	23.5	82	48.5
DN40	38	41	25	92	52.5
DN50	50	53	26	106	63.5
DN65	66	70	28	127	71.5
DN80	81	85	29	140	78.5
DN100	100	104	30	156	87.5



## BUTTERFLY VALVE ACTUATOR



**Without Solenoid Valve  
and Limit Switch**



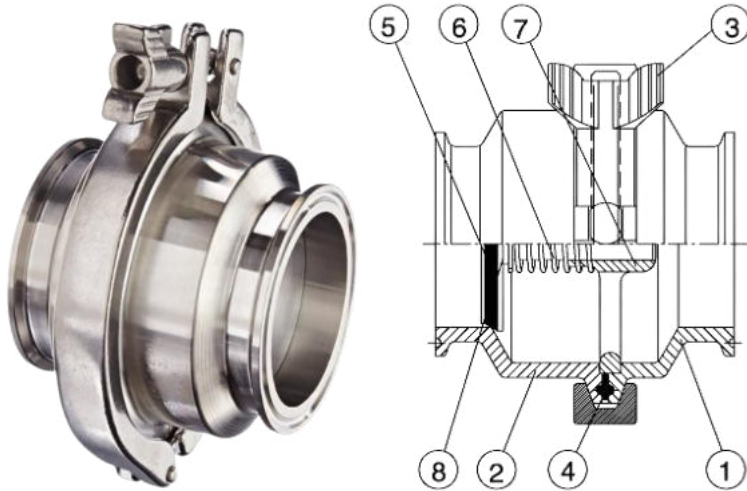
**With Solenoid Valve  
and Limit Switch**

### Operation Instructions:

- 1) Signal Transfer:
  - a) 10-30VDC proximity switch 1 or 2pcs (PNP or NPN),
  - b) or 3A 125 VAC, 30 VDC micro switch 2 pcs.
  
- 2) Air/Air (double effect) actuator or Air/Spring (single effect).

<b>Shut Off Time (seconds)</b>	1.5
<b>Weight (kg)</b>	2.5
<b>Operating Air Pressure 6Kg/cm<sup>2</sup></b>	5-9 bar
<b>Air Consumption at 5 bar</b>	0.266 liters
<b>Material</b>	SS 304
<b>Max Output Torque (N/M)</b>	20

## NON-RETURN VALVE / CHECK VALVE



### Components List:

No.	Name
1	Short Body
2	Long Body
3	Clamp
4	13 PG
5	Seal Ring
6	ST.ST Spring
7	Flow Support Plate
8	Disc

The sanitary **Check Valve** contains a stainless-steel body which houses a disc supported by a spring. When enough pressure is applied, the disc opens and allows product to flow through.

### Method of Operation-

Works automatically when enough flow pressure pushes the disc so that the product flows through.

When pressure is not high enough, the disc remains pushed shut so that the product does not flow through.

**Size Availability-** 0.5" to 4"

**Material Availability-** Body in SS 316L, Gaskets in EPDM

**Connection Availability-** Weld Ends, Ferrule Ends

**Pressure to Open Valve-** 0.5 psi to 3 psi, depending on size

Opening Pressure (PSI)							
0.5"	0.75"	1"	1.5"	2"	2.5"	3"	4"
0.5	0.5	3	1.6	0.6	1.3	0.8	0.9

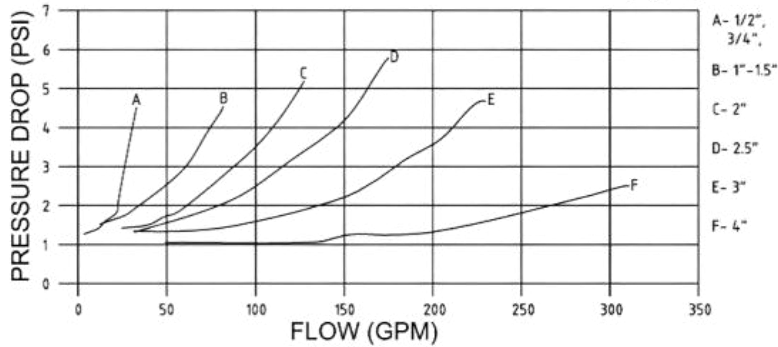


# NON-RETURN VALVE / CHECK VALVE

Pressure required for opening the valve fitted in a vertical pipe (max pressure- 10 bar):

Spring Check Valve Pressure Drop

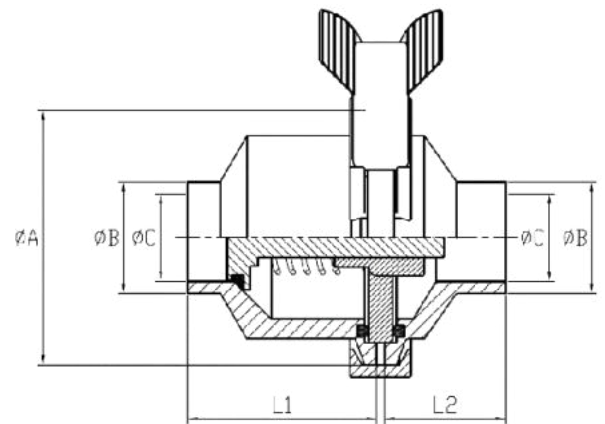
(fig. 3)



Note:  
For the diagram the following applies:  
Medium: Water(20°C)

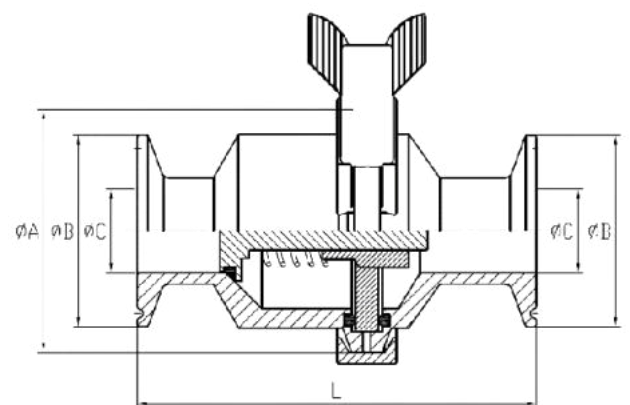
## Check Valve with Weld Ends

Size	øA	øB	øC	L1	L2
0.5"	50.5	12.7	9.4	35	22
0.75"	64	19.05	15.75	35	22
1"	64	25.4	22.1	47.5	30.5
1.5"	77.5	38.1	34.8	50	30
2"	91	50.8	47.5	58	30
2.5"	106	63.5	60.2	58	37
3"	119	76.2	72.9	70	36
4"	144.5	101.6	97.6	68	37

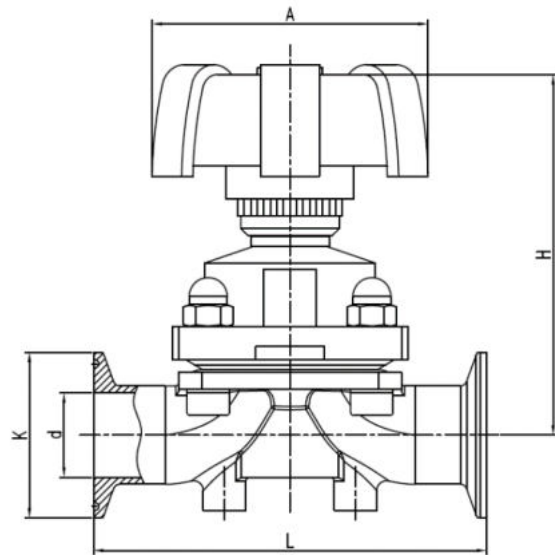


## Check Valve with Ferrule Ends

Size	øA	øB	øC	L
0.5"	50.5	25	9.5	88.9
0.75"	64	25	15.8	88.9
1"	64	50.5	22.1	104.8
1.5"	77.5	50.5	34.8	115.9
2"	91	64	47.5	128.6
2.5"	106	77.5	60.2	136.5
3"	119	91	72.9	155.6
4"	144.5	119	97.6	206.4



# Diaphragm Valve



## Diaphragm Valve with Ferrule Ends and Weld Ends

Size	L	A	K x d Ferrule	K x d Weld	H	
0.5"	DN10	89	33	25 x 9.4	12.7 x 9.4	70
0.75	DN15/20	109	58	25 x 15.8	19.1 x 15.8	70
1"	DN25	127	90	50.5 x 22.1	25.4 x 22.4	119
1.25"	DN32	159	90	50.5 x 28.5	31.8 x 28.5	139
1.5"	DN40	159	114	50.5 x 34.8	38.1 x 34.8	139
2"	DN50	190	140	64 x 47.5	50.8 x 47.5	150
2.5"	DN65	216	140	77.5 x 60.2	63.5 x 60.2	162
3"	DN80	256	140	91 x 72.9	76.2 x 72.9	170
4"	DN100	350	140	119 x 97.4	101.6 x 97.4	

## PRESSURE RELIEF VALVE

The sanitary **Pressure Relief Valve** contains a disc supported by springs. When enough pressure is applied, the disc opens and allows unwanted pressure to flow through.

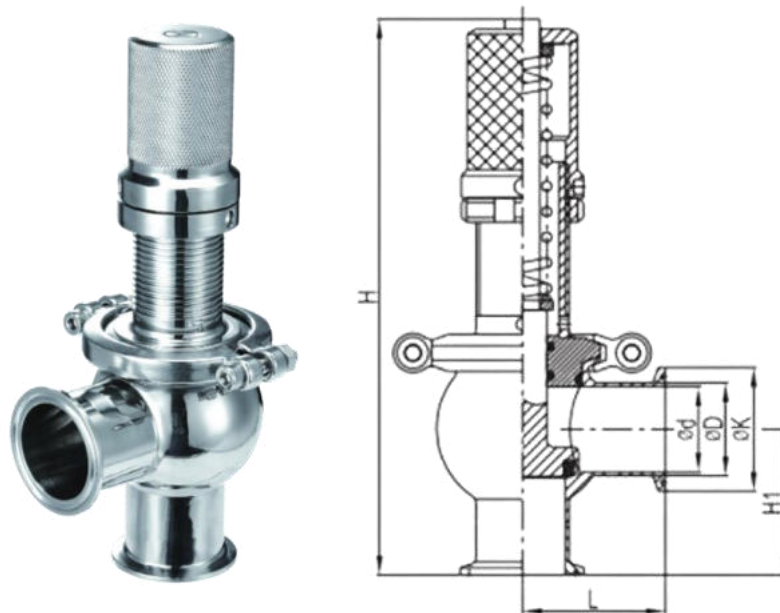
### Method of Operation-

Works automatically when enough pressure pushes valve disc to release pipe line air pressure.

**Size Availability-** 1" to 4"

**Material Availability-** Body in SS 304 and SS 316L

**Connection Availability-** Weld Ends, Ferrule Ends



Size	ød	øD	øK	H1	L	H
1"	22.4	25.4	50.5	61	61	227
1.5"	35.1	38.1	50.5	58	59	227
2"	47.8	50.8	64	66	66	270
2.5"	59.5	63.5	77.5	77	77	318
3"	72.2	76.2	91	97	97	351
4"	97.6	101.6	119	127	135	399

# VACUUM RELIEF VALVE



The sanitary **Vacuum Relief Valve** contains a disc supported by springs. When enough pressure is applied, the disc opens and allows unwanted pipe line air to flow through.

## Method of Operation-

When enough pressure pushes valve disc to release pipe line air pressure.

Similarly, when there is enough vacuum pressure present, the disc is pushed in the opposite direction to relief pipe line vacuum pressure.

**Size Availability-** 2.5"

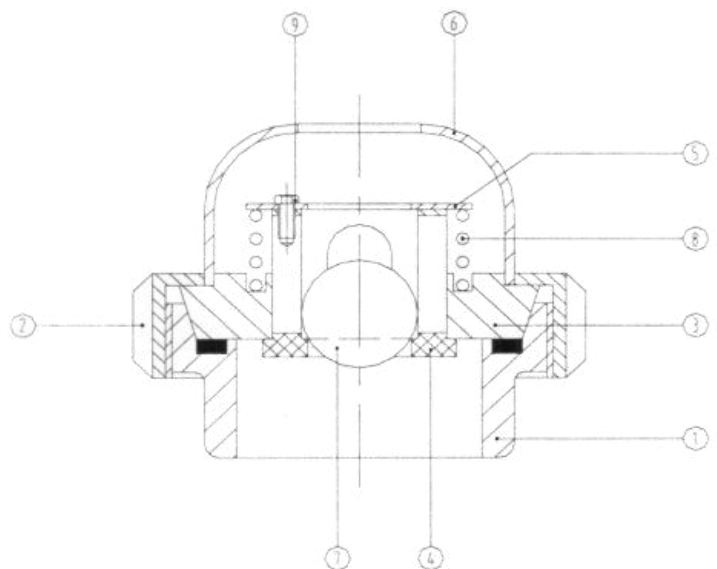
**Material Availability-** Body in SS 304 and SS 316L

**Connection Availability-** Weld End

**Pressure to Open Valve-** 0.02 bar Opening Pressure or 0.01 bar Vacuum Pressure

## Components List:

No.	Item Name	Material	Qty.
1	Male Part	AISI 304L	1
2	Nut	AISI 304L	1
3	Taper Blank	AISI 304L	1
4	Locking Device	PTFE	1
5	Upper Disc	AISI 304	1
6	Cap	AISI 304	1
7	Ball	AISI 304	1
8	Vacuum Spring	AISI 304	1
9	Screw 3Max8	AISI 304	2



## THREE WAY PLUG VALVE



### Method of Operation-

Turn the handle rotates the conical plug inside the valve to divert and shut off flow.

The only Sanitary Valve to achieve shut off and divert flow at the same time.

**Size Availability-** 0.5" to 4"

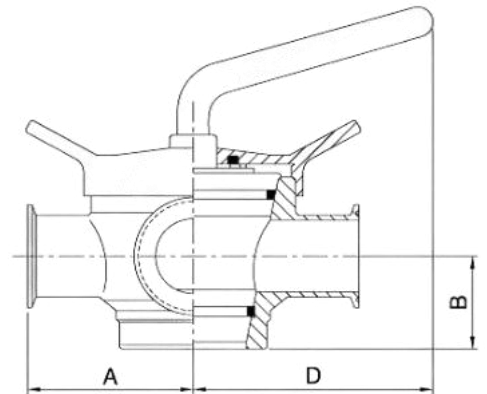
**Material Availability-** Body in SS 304 and SS 316L, Gaskets in EPDM or BUNA

**Connection Availability-** Weld Ends, Ferrule Ends, other Sanitary Union connections

**Pressure Rating-** Up to 1.7 bar, decreases along with size

### Three Way Plug Valve with Weld/Male/Ferrule Ends

OD 3A	OD DIN	A Weld	A Male	A Ferrule	B	D
1"	DN25	66.3	95.3	94.9	26	139.19
1.5"	DN40	85.1	118.1	113.7	35	139.19
2"	DN50	114.2	149.2	142.8	45	143.01
2.5"	DN65	132	172	160.6	55	143.69
3"	DN80	168.6	213.6	197.2	70	143.81
4"	DN100	206.3	260.3	234.9	75	174.21



# INLINE SIGHT GLASS

**Application-** The clear tube allows operators an easy inspection of the product flow.

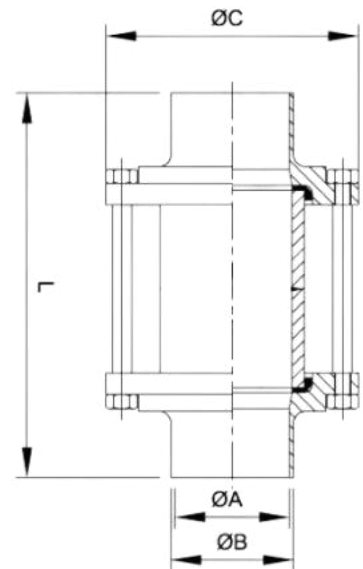
**Size Availability-** 1" to 4"

**Material Availability-** SS 316L body houses a Borosilicate Glass Tube

**Connection Availability-** Weld Ends, Ferrule Ends

## Inline Sight Glass with Weld Ends

Size	ØA	ØB	ØC	L
1"	22.1	25.4	79	130
1.5"	34.8	38.1	85	128
2"	47.5	50.8	100	133
2.5"	60.2	63.5	115	131
3"	72.9	76.2	127	134
4"	97.6	101.6	156	135



## Inline Sight Glass with Ferrule Ends

Size	ØA	ØB	ØC	L
1"	22.1	50.5	79	153
1.5"	34.8	50.5	85	151
2"	47.5	64	100	155
2.5"	60.2	77.5	115	153
3"	72.9	91	127	156
4"	97.6	119	156	165

