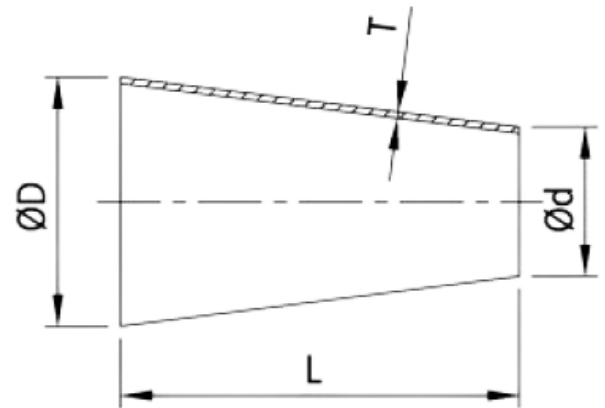


CONCENTRIC REDUCER

Concentric Reducer without Straight End

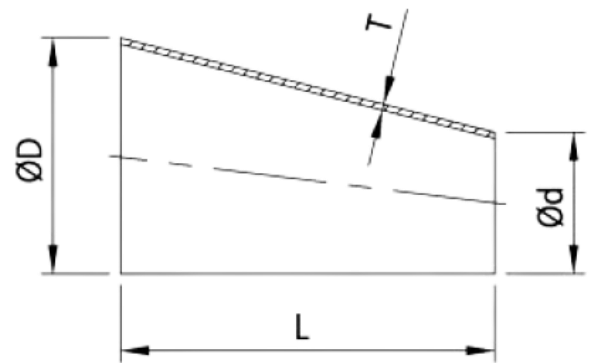
SIZE	ϕD	ϕd	L	T
0.75"x0.5"	19.05	12.7	50.8	1.65
1"x0.5"	25.4	12.7	50.8	1.65
1.5"x0.5"	38.1	12.7	101.6	1.65
2"x0.5"	50.8	12.7	152.4	1.65
1"x0.75"	25.4	19.05	25.4	1.65
1.5"x0.75"	38.1	19.05	76.2	1.65
1.5"x1"	38.1	25.4	50.8	1.65
2"x1"	50.8	25.4	101.6	1.65
2"x1.5"	50.8	38.1	50.8	1.65
2.5"x1"	63.5	25.4	152.4	1.65
2.5"x1.5"	63.5	38.1	101.6	1.65
2.5"x2"	63.5	50.8	50.8	1.65
3"x1"	76.2	25.4	203.2	1.65
3"x1.5"	76.2	38.1	152.4	1.65
3"x2"	76.2	50.8	101.6	1.65
3"x2.5"	76.2	63.5	50.8	1.65
4"x1.5"	101.6	38.1	254	2
4"x2"	101.6	50.8	203.2	2
4"x2.5"	101.6	63.5	152.4	2
4"x3"	101.6	76.2	101.6	2
6"x2"	152.4	50.8	406.4	2
6"x3"	152.4	76.2	304.8	2
6"x4"	152.4	101.6	203.2	2



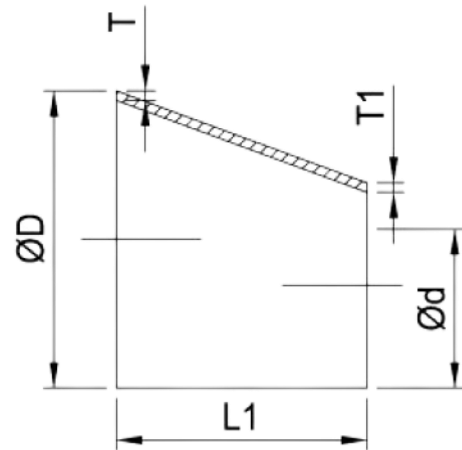
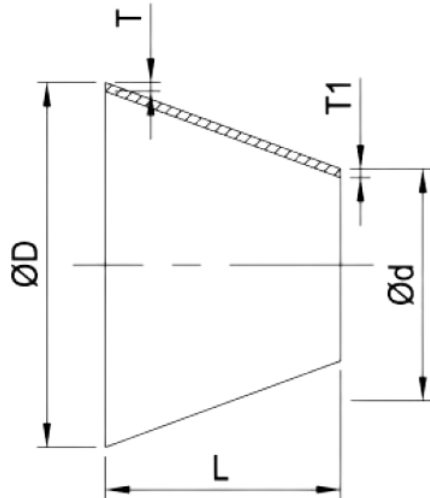
ECCENTRIC REDUCER

Eccentric Reducer without Straight End

SIZE	ϕD	ϕd	L	T
0.75"x0.5"	19.05	12.7	25.4	1.65
1"x0.5"	25.4	12.7	50.8	1.65
1.5"x0.5"	38.1	12.7	101.6	1.65
2"x0.5"	50.8	12.7	152.4	1.65
1"x0.75"	25.4	19.05	25.4	1.65
1.5"x0.75"	38.1	19.05	76.2	1.65
2"x0.75"	50.8	19.05	127	1.65
1.5"x1.0"	38.1	25.4	50.8	1.65
2"x1"	50.8	25.4	101.6	1.65
2"x1.5"	50.8	38.1	50.8	1.65
2.5"x1"	63.5	25.4	152.4	1.65
2.5"x1.5"	63.5	38.1	101.6	1.65
2.5"x2"	63.5	50.8	50.8	1.65
3"x1"	76.2	25.4	203.2	1.65
3"x1.5"	76.2	38.1	152.4	1.65
3"x2"	76.2	50.8	101.6	1.65
3"x2.5"	76.2	63.5	50.8	1.65
4"x1.5"	101.6	38.1	254	2
4"x2"	101.6	50.8	203.2	2
4"x2.5"	101.6	63.5	152.4	2
4"x3"	101.6	76.2	101.6	2
6"x2"	152.4	50.8	406.4	2
6"x3"	152.4	76.2	304.8	2
6"x4"	152.4	101.6	203.2	2



DIN CONCENTRIC & ECCENTRIC REDUCER



DIN Concentric Reducer

DIN Eccentric Reducer

SIZE	$\varnothing D$	$\varnothing d$	T	L	L1	T1
32x25	35	29	1.5	25	16.5	1.5
40x25	41	29	1.5	23	33	1.5
40x32	41	35	1.5	23	16.5	1.5
50x25	53	29	1.5	27	66	1.5
50x32	53	35	1.5	28	49.5	1.5
50x40	53	41	1.5	27	33	1.5
65x25	70	29	1.5	35	75	1.5
65x40	70	41	2	39	77	1.5
65x50	70	53	2	29	44	1.5
80x50	85	53	2	45	85	1.5
80x65	85	70	2	33	41.2	2
100x50	104	52	2	50	137.5	1.5
100x65	104	70	2	44	93.5	2
100x80	104	85	2	60	52.5	2