

SANITARY CLEANING SPRAY BALL

Application- Provides an easy means of rinsing tanks.

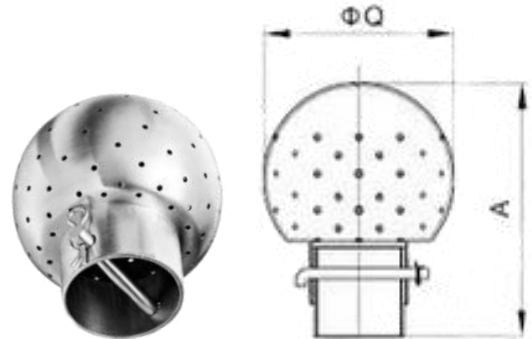
Size Availability- 1" to 2.5"

Material Availability- Body in SS 304 and SS 316L

Connection Availability- Bolted End, BSP End, Ferrule End

Bolted Static Spray Ball

Size	A	Q
1"	95	63
1.5"	110	76
2"	125	91
2.5"	135	100



Size	Pressure (bar)	Cleaning Radius (M)	360°/180° Fluxation (m3/h)
1"	2.5	1 – 1.25	17/10
1.5"	2.5	1.25 – 1.75	23/17
2"	3.5	2 – 3	55/38
2.5"	3.5	3 – 3.5	58/41

Bolted Rotary Spray Ball

Size	A	Q
1"	135	53
1.25"	137	53
1.5"	137	53
2"	168	63
2.5"	190	76



Size	Pressure (bar)	Cleaning Radius (M)	Fluxation (m3/h)
1" – 1.5"	2	1.25	12
2"	2	1.5	38
2.5"	2	2	38