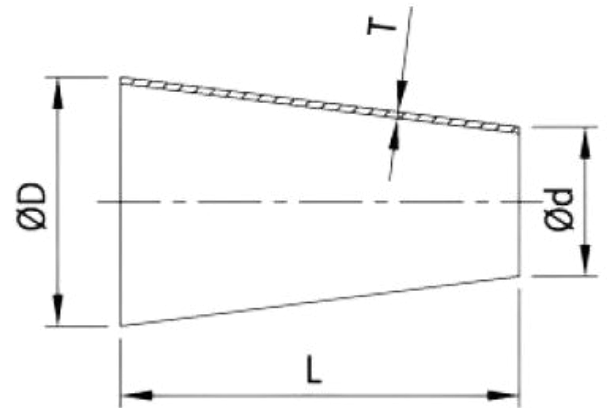


# CONCENTRIC REDUCER

## Concentric Reducer without Straight End

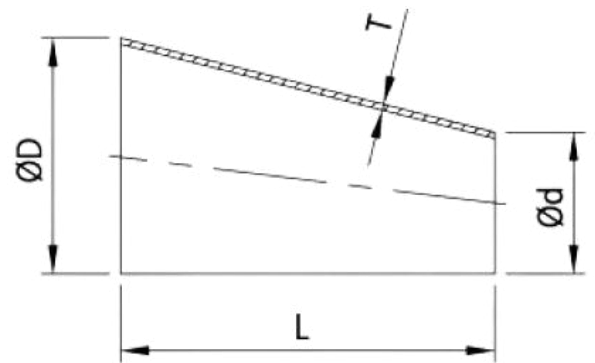
| SIZE       | øD    | ød    | L     | T    |
|------------|-------|-------|-------|------|
| 0.75"x0.5" | 19.05 | 12.7  | 50.8  | 1.65 |
| 1"x0.5"    | 25.4  | 12.7  | 50.8  | 1.65 |
| 1.5"x0.5"  | 38.1  | 12.7  | 101.6 | 1.65 |
| 2"x0.5"    | 50.8  | 12.7  | 152.4 | 1.65 |
| 1"x0.75"   | 25.4  | 19.05 | 25.4  | 1.65 |
| 1.5"x0.75" | 38.1  | 19.05 | 76.2  | 1.65 |
| 1.5"x1"    | 38.1  | 25.4  | 50.8  | 1.65 |
| 2"x1"      | 50.8  | 25.4  | 101.6 | 1.65 |
| 2"x1.5"    | 50.8  | 38.1  | 50.8  | 1.65 |
| 2.5"x1"    | 63.5  | 25.4  | 152.4 | 1.65 |
| 2.5"x1.5"  | 63.5  | 38.1  | 101.6 | 1.65 |
| 2.5"x2"    | 63.5  | 50.8  | 50.8  | 1.65 |
| 3"x1"      | 76.2  | 25.4  | 203.2 | 1.65 |
| 3"x1.5"    | 76.2  | 38.1  | 152.4 | 1.65 |
| 3"x2"      | 76.2  | 50.8  | 101.6 | 1.65 |
| 3"x2.5"    | 76.2  | 63.5  | 50.8  | 1.65 |
| 4"x1.5"    | 101.6 | 38.1  | 254   | 2    |
| 4"x2"      | 101.6 | 50.8  | 203.2 | 2    |
| 4"x2.5"    | 101.6 | 63.5  | 152.4 | 2    |
| 4"x3"      | 101.6 | 76.2  | 101.6 | 2    |
| 6"x2"      | 152.4 | 50.8  | 406.4 | 2    |
| 6"x3"      | 152.4 | 76.2  | 304.8 | 2    |
| 6"x4"      | 152.4 | 101.6 | 203.2 | 2    |



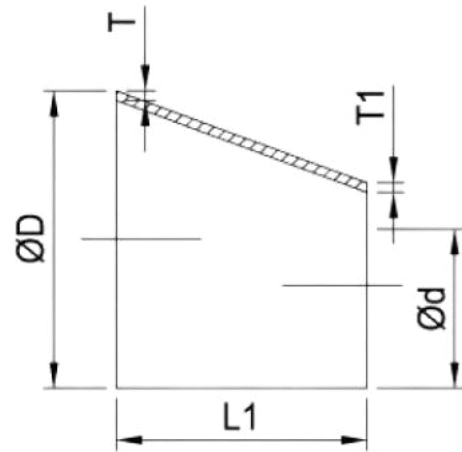
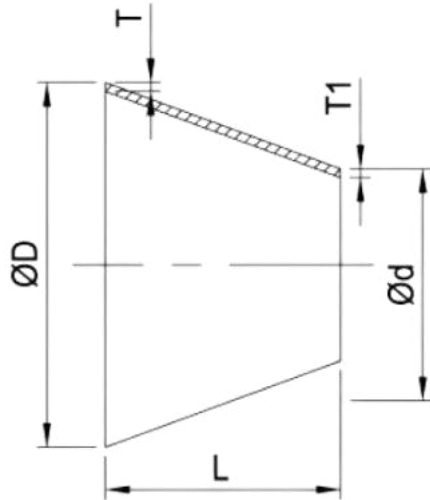
# ECCENTRIC REDUCER

## Eccentric Reducer without Straight End

| SIZE       | $\phi D$ | $\phi d$ | L     | T    |
|------------|----------|----------|-------|------|
| 0.75"x0.5" | 19.05    | 12.7     | 25.4  | 1.65 |
| 1"x0.5"    | 25.4     | 12.7     | 50.8  | 1.65 |
| 1.5"x0.5"  | 38.1     | 12.7     | 101.6 | 1.65 |
| 2"x0.5"    | 50.8     | 12.7     | 152.4 | 1.65 |
| 1"x0.75"   | 25.4     | 19.05    | 25.4  | 1.65 |
| 1.5"x0.75" | 38.1     | 19.05    | 76.2  | 1.65 |
| 2"x0.75"   | 50.8     | 19.05    | 127   | 1.65 |
| 1.5"x1.0"  | 38.1     | 25.4     | 50.8  | 1.65 |
| 2"x1"      | 50.8     | 25.4     | 101.6 | 1.65 |
| 2"x1.5"    | 50.8     | 38.1     | 50.8  | 1.65 |
| 2.5"x1"    | 63.5     | 25.4     | 152.4 | 1.65 |
| 2.5"x1.5"  | 63.5     | 38.1     | 101.6 | 1.65 |
| 2.5"x2"    | 63.5     | 50.8     | 50.8  | 1.65 |
| 3"x1"      | 76.2     | 25.4     | 203.2 | 1.65 |
| 3"x1.5"    | 76.2     | 38.1     | 152.4 | 1.65 |
| 3"x2"      | 76.2     | 50.8     | 101.6 | 1.65 |
| 3"x2.5"    | 76.2     | 63.5     | 50.8  | 1.65 |
| 4"x1.5"    | 101.6    | 38.1     | 254   | 2    |
| 4"x2"      | 101.6    | 50.8     | 203.2 | 2    |
| 4"x2.5"    | 101.6    | 63.5     | 152.4 | 2    |
| 4"x3"      | 101.6    | 76.2     | 101.6 | 2    |
| 6"x2"      | 152.4    | 50.8     | 406.4 | 2    |
| 6"x3"      | 152.4    | 76.2     | 304.8 | 2    |
| 6"x4"      | 152.4    | 101.6    | 203.2 | 2    |



## DIN CONCENTRIC & ECCENTRIC REDUCER



**DIN Concentric Reducer**

**DIN Eccentric Reducer**

| SIZE   | $\varnothing D$ | $\varnothing d$ | T   | L  | L1    | T1  |
|--------|-----------------|-----------------|-----|----|-------|-----|
| 32x25  | 34              | 28              | 1.5 | 25 | 16.5  | 1.5 |
| 40x25  | 40              | 28              | 1.5 | 23 | 33    | 1.5 |
| 40x32  | 40              | 34              | 1.5 | 23 | 16.5  | 1.5 |
| 50x25  | 52              | 28              | 1.5 | 27 | 66    | 1.5 |
| 50x32  | 52              | 34              | 1.5 | 28 | 49.5  | 1.5 |
| 50x40  | 52              | 40              | 1.5 | 27 | 33    | 1.5 |
| 65x25  | 70              | 28              | 1.5 | 35 | 75    | 1.5 |
| 65x40  | 70              | 40              | 2   | 39 | 77    | 1.5 |
| 65x50  | 70              | 52              | 2   | 29 | 44    | 1.5 |
| 80x50  | 85              | 52              | 2   | 45 | 85    | 1.5 |
| 80x65  | 85              | 70              | 2   | 33 | 41.2  | 2   |
| 100x50 | 104             | 52              | 2   | 50 | 137.5 | 1.5 |
| 100x65 | 104             | 70              | 2   | 44 | 93.5  | 2   |
| 100x80 | 104             | 85              | 2   | 60 | 52.5  | 2   |