

HOSE FERRULE ADAPTER & TUBE CAP

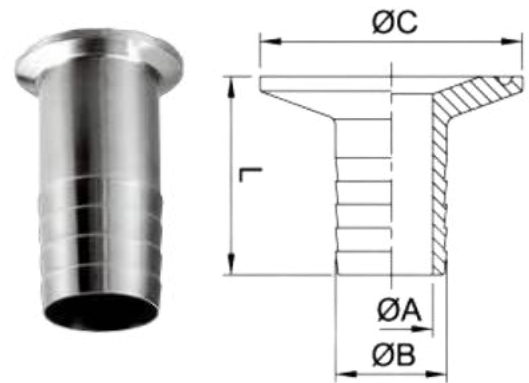
Application- Used to connect hoses to a ferrule with just a hose clip for low pressure applications

Size Availability- 0.5" to 4"

Material- SS 304 or SS 316L

Hose Ferrule Adapter

| SIZE | ØA | ØB | ØC | L |
|----------|------|-------|------|------|
| 0.5" | 9.5 | 13.7 | 25 | 38 |
| 1"x0.5" | 9.5 | 13.7 | 50.5 | 38 |
| 0.75" | 15.8 | 21.4 | 25 | 38 |
| 1"x0.75" | 15.8 | 21.4 | 50.5 | 38 |
| 1" | 20.6 | 25.4 | 50.5 | 43 |
| 1.5" | 33.2 | 38.1 | 50.5 | 43 |
| 2" | 46 | 50.8 | 64 | 58.7 |
| 2.5" | 58.7 | 63.5 | 77.5 | 59.5 |
| 3" | 72 | 76.2 | 91 | 78.6 |
| 4" | 97.6 | 101.6 | 119 | 85.5 |



Tube Cap

| SMS/3A | OD | DI | DIN | OD | ID |
|--------|-------|-------|-------|-----|-----|
| 0.5" | 12.7 | 9.4 | - | - | - |
| 0.75" | 19.05 | 15.75 | - | - | - |
| 1" | 25.4 | 22.1 | DN25 | 29 | 26 |
| - | - | - | DN32 | 35 | 32 |
| 1.5" | 38.1 | 34.8 | DN40 | 41 | 38 |
| 2" | 50.8 | 47.5 | DN50 | 53 | 50 |
| 2.5" | 63.5 | 60.2 | DN65 | 70 | 66 |
| 3" | 76.2 | 72.9 | DN80 | 85 | 81 |
| 4" | 101.6 | 97.4 | DN100 | 104 | 100 |
| - | - | - | DN125 | 129 | 125 |
| - | - | - | DN150 | 154 | 150 |

