

SMS UNION

The **SMS Union** (Swedish Metric Standard) is comprised of a round slotted nut, a liner, a male part and a gasket.

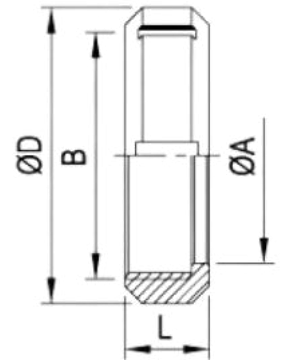
The liner and male part that come in contact with the product come in SS 304 and SS 316L, while the round nut is only available in SS 304.

Gasket Material: BUNA, EPDM, Viton, Teflon, Silicone.



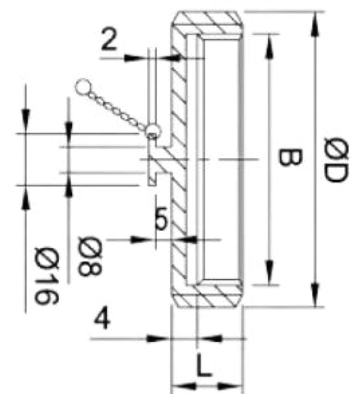
SMS Union Nut

SIZE	øA	B	øD	L
1"	32	RD40x1/6	51	19
1.5"	48	RD60x1/6	74	23
2"	60.5	RD70x1/6	84	24
2.5"	74	RD85x1/6	100	28
3"	87	RD98x1/6	114	30
4"	113	RD125x1/4	138	31
4B"	117	RD132x1/6	150	31



SMS Union Blank Nut with Chain

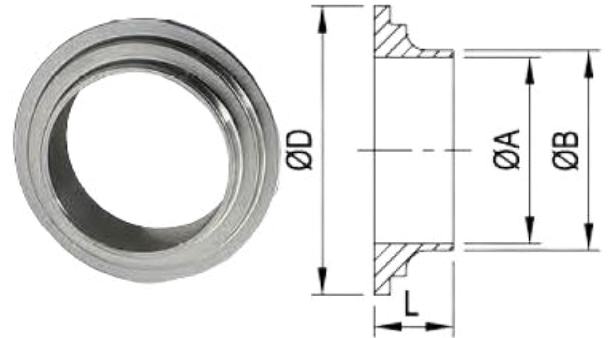
Size	B	øD	L
1"	RD40x1/6	51	19
1.5"	RD60x1/6	74	23
2"	RD70x1/6	84	24
2.5"	RD85x1/6	100	28
3"	RD98x1/6	114	30
4"	RD125x1/4	138	31
4B"	RD132x1/6	150	45



SMS UNION

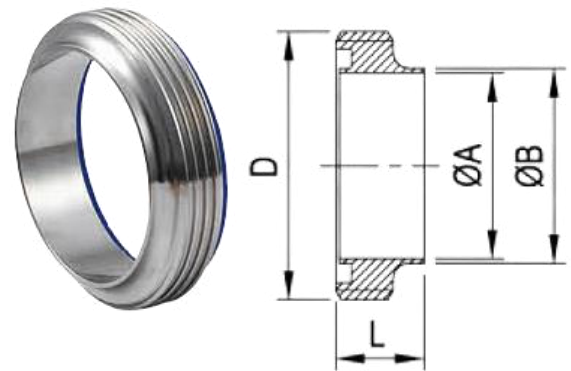
SMS Union Liner

SIZE	ϕA	ϕB	ϕD	L
1"	22.5	25.4	35.5	11
1.5"	35.5	38.1	55	16
2"	48.5	50.8	65	17
2.5"	60.5	63.5	80	17
3"	72	76.2	93	19
4"	97.6	101.6	118	19
4B"	98.5	102.5	127	19



SMS Union Male Part

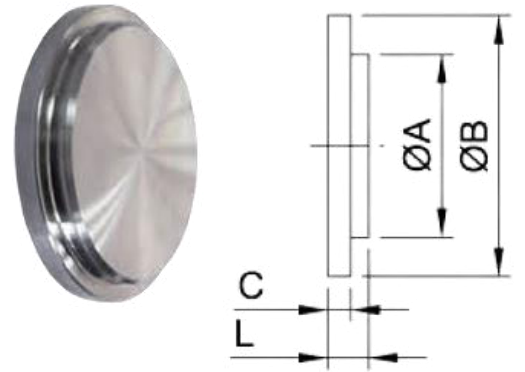
SIZE	ϕA	ϕB	ϕD	L
1"	22.5	25.4	RD40x1/6	18
1.5"	35.5	38.1	RD60x1/6	21
2"	48.5	50.8	RD70x1/6	21
2.5"	60.5	63.5	RD85x1/6	23
3"	72	76.2	RD98x1/6	23
4"	97.6	101.6	RD125x1/4	26
4B"	98.5	102.5	RD132x1/6	26



SMS UNION

SMS Union Blank

SIZE	ϕA	ϕB	ϕC	L
1"	32	35.5	3.5	7.5
1.5"	48	55	5	9
2"	60	65	5	10
2.5"	73.5	80	5	10
3"	86	93	5	11
4"	112	118	6	11
4B"	116	128	6	11



SMS Union Gasket (L Shape)

Size	ϕA	ϕB	ϕC
1"	22.8	25.1	31.8
1.5"	35.8	38.1	47.8
2"	48.8	51.1	60.8
2.5"	61	63.6	73.3
3"	73.4	76.1	85.8
4"	100.5	104	115.7
4B"	100.5	104	115.7

