

PRESSURE RELIEF VALVE

The sanitary **Pressure Relief Valve** contains a disc supported by springs. When enough pressure is applied, the disc opens and allows unwanted pressure to flow through.

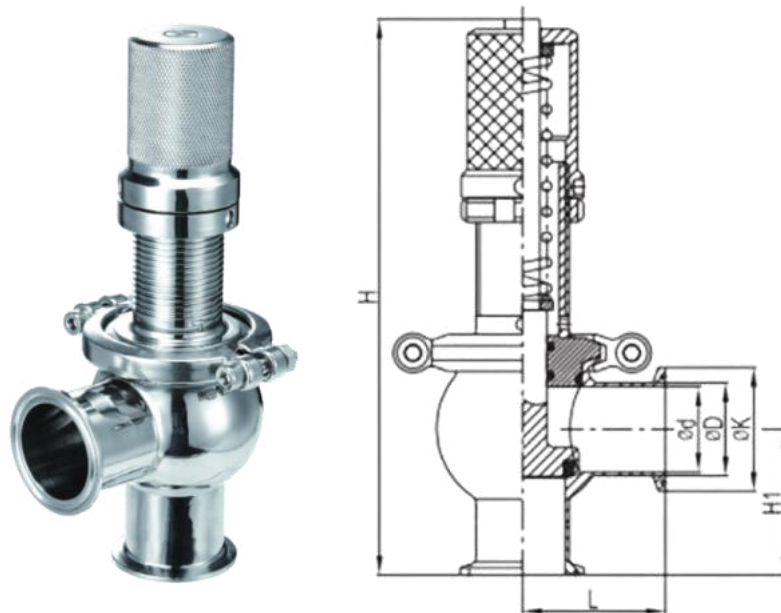
Method of Operation-

Works automatically when enough pressure pushes valve disc to release pipe line air pressure.

Size Availability- 1" to 4"

Material Availability- Body in SS 304 and SS 316L

Connection Availability- Weld Ends, Ferrule Ends



Size	ød	øD	øK	H1	L	H
1"	22.4	25.4	50.5	61	61	227
1.5"	35.1	38.1	50.5	58	59	227
2"	47.8	50.8	64	66	66	270
2.5"	59.5	63.5	77.5	77	77	318
3"	72.2	76.2	91	97	97	351
4"	97.6	101.6	119	127	135	399