

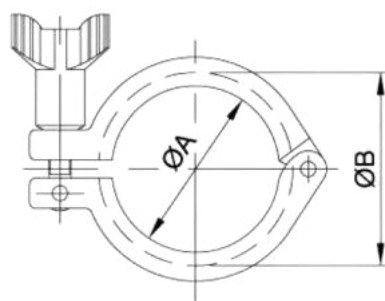
CLAMP UNION

The **Clamp Union** is comprised of a clamp ring, two ferrules, and a gasket. They come in 3A and DIN Standard.

The ferrules that come in contact with the product come in SS 304 and SS 316L, while the clamp ring is only available in SS 304.

Gasket Material: BUNA, EPDM, Viton, Teflon, Silicone.

The easiest way to identify a Clamp Union is by its **+ Shape Gasket**.



Clamp Ring (3A/SMS)

Size	ØA	ØB
0.5" - 0.75"	20.0	28.0
1" - 1.5"	44.4	53.6
2"	57.8	67
2.5"	71.4	80.6
3"	84.0	94.2
3.5"	99.0	109.2
4"	110.0	122.2
4.5"	123	133.2
6"	155.4	170.4
8"	205.0	220.0
10"	257.0	272.0
12"	308.0	323.0

Clamp Ring (DIN)

Size	ØA	ØB
DN 10	27.2	37.0
DN 15	44.5	37.0
DN 20	57	37.0
DN 25	44.4	53.6
DN 32	44.4	53.6
DN 40	44.4	53.6
DN 50	57.8	67.0
DN 65	84	94.2
DN 80	99	109.0
DN 100	110	122.2
DN 125	144	159.0
DN 150	172	187.0
DN 200	222.5	237.0
DN 250	257.0	272.0
DN 300	308.0	323.0

CLAMP UNION

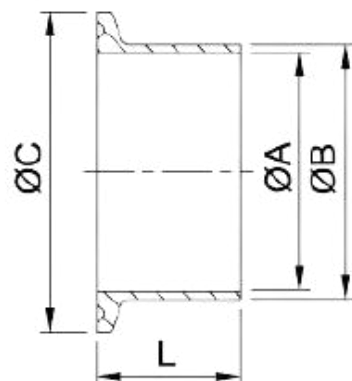
Ferrule (3A/SMS)

SIZE	øA	øB	øC	L(Short)	L (Long)
0.5"	9.4	12.7	25	12.7	28.6
0.75"	15.75	19.05	25	12.7	28.6
1"	22.1	25.4	50.5	12.7	28.6
1.25	28.4	31.75	50.5	12.7	28.6
1.5"	34.8	38.1	50.5	12.7	28.6
2"	47.5	50.8	64	12.7	28.6
2.5"	60.2	63.5	77.5	12.7	28.6
3"	72.9	76.1	91	12.7	28.6
3.5"	84.9	88.9	106	15.9	28.6
4"	97.4	101.6	119	15.9	28.6
4.5	110.3	114.3	130	21.5	28.6 or 38.1
5"	123	127	144.5	21.5	28.6 or 38.1
5.5"	133.7	139.7	155	21.5	28.6 or 38.1
6"	146.86	152.5	166.87	21.5	28.6 or 38.1
8"	197.66	203.3	217.67	21.5	28.6 or 38.1
10"	247.2	254	268.47	21.5	28.6 or 38.1
12"	298	304.8	319.27	21.5	28.6 or 38.1



Ferrule (DIN)

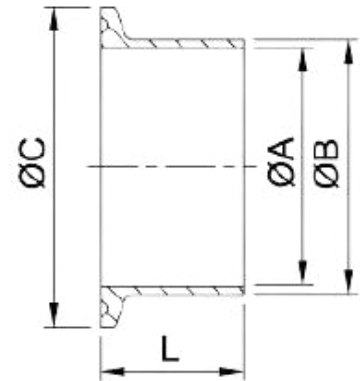
SIZE	øA	øB	øC	L
DN 10	10	13	34	12.7 / 21.5
DN 15	16	19	34	12.7 / 21.5
DN 20	20	23	34	12.7 / 21.5
DN 25	26	29	50.5	12.7 / 21.5
DN 32	32	35	50.5	12.7 / 21.5
DN 40	38	41	50.5	12.7 / 21.5
DN 50	50	53	64	12.7 / 21.5
DN 65	66	70	91	12.7 / 21.5
DN 80	81	85	106	12.7 / 21.5
DN 100	100	104	119	12.7 / 28.6
DN 125	125	129	155	12.7 / 28.6
DN 150	150	154	183	12.7 / 28.6
DN 200	200	204	233.5	12.7 / 28.6
DN 250	250	254	268.5	12.7 / 28.6
DN 300	300	306	319.3	12.7 / 28.6



CLAMP UNION

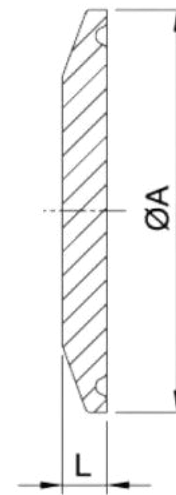
Ferrule (ISO)

Size	ϕA	ϕB	ϕC	L
DN 25	30.5	33.7	50.5	28.6
DN 40	45.1	48.3	64	28.6
DN 50	56.3	60.3	77.5	28.6
DN 65	72.1	76.1	91	28.6
DN 80	84.3	88.9	106	28.6
DN 100	109.7	114.3	130	28.6



Ferrule Blank

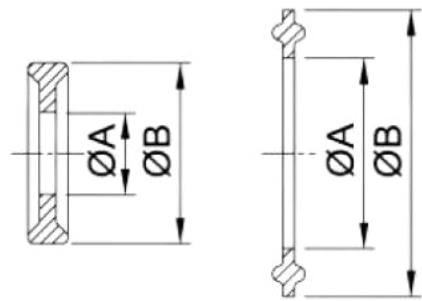
3A	DIN	ϕA	L
0.5" 0.75"	-	25	6
-	DN10	34	6.3
-	DN15	34	6.3
-	DN20	34	6.3
1"	DN25	50.5	6.3
1.25"	DN32	50.5	6.3
1.5"	DN40	50.5	6.3
2"	DN50	64	6.3
2.5"	-	77.5	6.3
3"	DN65	91	6.3
3.5"	DN80	106	6.3
4"	DN100	119	7.9
4.5"	-	130	7.9
5"	-	144.5	10.0
5.5"	DN125	155	7.9
6"	-	166.8	11.1
-	DN150	183	11.1
8"	-	217.7	11.1
-	DN200	233.5	11.1
10"	DN250	268.5	11.1
12"	DN300	319.3	11.1



CLAMP UNION

Ferrule Gasket (Plain Type 13PG)

SIZE	ϕA	ϕB
0.5"	9.9	21.8
0.75"	16.3	21.8
1"	22.1	50.5
1.25"	28.4	50.5
1.5"	34.8	50.5
2"	47.5	64
2.5"	60.2	77.5
3"	72.9	91
3.5"	84.9	106
4"	97.4	119
4.5"	110.3	130
5"	123	144.5
5.5"	133.7	155
6"	146.86	166.87
8"	197.66	217.67
10"	247.2	268.47
12"	298	319.27



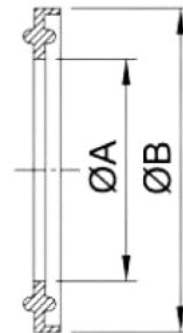
0.5" - 0.75"

1" - 12"

13PG

Ferrule Gasket (Flange Type 13FG)

SIZE	ϕA	ϕB
1"	22.1	52.7
1.5"	34.8	52.7
2"	47.5	66.2
2.5"	60.2	79.7
3"	72.9	93.2
4"	97.4	121.2
6"	146.86	169.1
10"	247.2	270.7
12"	298	321.5

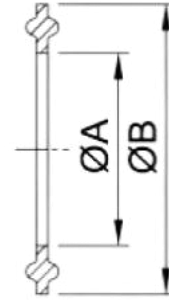


13FG

CLAMP UNION

DIN Ferrule Gasket (Plain Type 13PG)

SIZE	ϕA	ϕB
DN 10	10	34
DN 15	16	34
DN 20	20	34
DN 25	26	50.5
DN 32	32	50.5
DN 40	38	50.5
DN 50	50	64
DN 65	66	91
DN 80	81	106
DN 100	100	119
DN 125	125	155
DN 150	150	183
DN 200	200	233.5
DN 250	250	268.5
DN 300	300	319.3



13PG