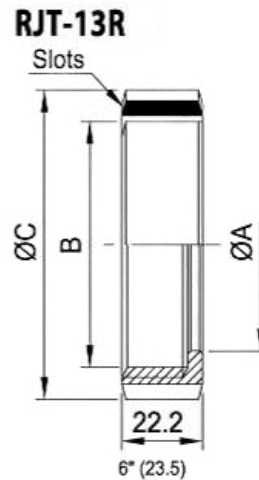


RJT UNION

The **RJT Union** (Ring Joint Type) is comprised of a round slotted nut, a liner, a male part, and a gasket.

The male part and liner that come in contact with the product come in SS 304 and SS 316L, while the round nut is only available in SS 304.

Gasket Material: BUNA, EPDM, Viton, Teflon, Silicone.



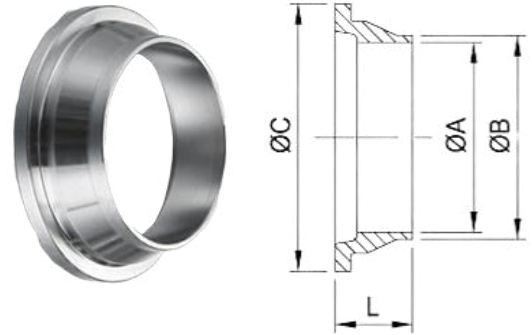
RJT Union Nut

| SIZE | ØA | B | ØC | L | L1 | Slots |
|-------|-------|-------------------|-------|------|------|-------|
| 0.5" | 14.5 | 19.6x10 TPI WHIT | - | 16 | - | - |
| 0.75" | 21 | 26.2x10 TPI WHIT | - | 16 | - | - |
| 1" | 33.45 | 42.266x8 TPI WHIT | 58.5 | 22.2 | 23.5 | 4 |
| 1.5" | 46 | 54.966x8 TPI WHIT | 74 | 22.2 | 23.5 | 4 |
| 2" | 58.67 | 67.92x6 TPI WHIT | 85.5 | 22.2 | 23.2 | 6 |
| 2.5" | 71.4 | 80.62x6 TPI WHIT | 98.5 | 22.2 | 23.5 | 6 |
| 3" | 84.1 | 93.32x6 TI WHIT | 111.6 | 22.2 | 23.5 | 8 |
| 4" | 109.7 | 118.72x6 TPI WHIT | 138 | 22.2 | 23.5 | 8 |
| 6" | 163 | 169.52x6 TPI WHIT | 197 | 24 | - | 10 |

RJT UNION

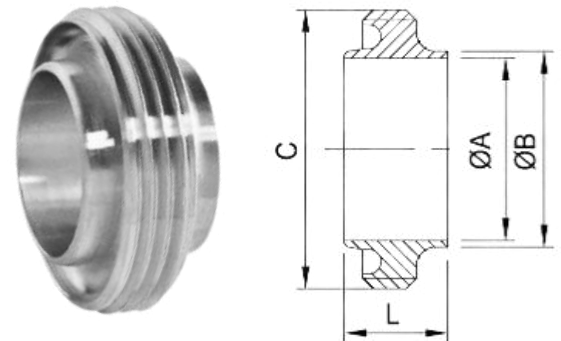
RJT Union Liner

| SIZE | ØA | ØB | ØC | L |
|-------|------|-------|-------|------|
| 0.5" | 9.6 | 14 | 18 | 11.4 |
| 0.75" | 16 | 20 | 23.1 | 11.4 |
| 1" | 22.2 | 25.4 | 41.3 | 19.5 |
| 1.5" | 34.8 | 38.1 | 54 | 19.5 |
| 2" | 47.5 | 50.8 | 66.7 | 19.5 |
| 2.5" | 60.2 | 63.5 | 79.4 | 19.5 |
| 3" | 72.9 | 76.2 | 92.1 | 19.5 |
| 4" | 97.6 | 101.6 | 117.5 | 19.5 |
| 6" | 148 | 152.4 | 169.1 | 23.5 |



RJT Union Male Part

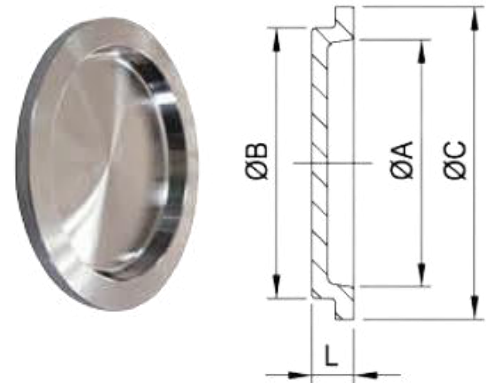
| SIZE | ØA | ØB | ØC | L |
|-------|------|-------|----------------|------|
| 0.5" | 9.6 | 13.7 | 21.2x10T WHIT | 16.5 |
| 0.75" | 16 | 20 | 27.6x10T WHIT | 16.5 |
| 1" | 22.1 | 25.4 | 45.72x8T WHIT | 27 |
| 1.5" | 34.8 | 38.1 | 58.42x8T WHIT | 27 |
| 2" | 47.5 | 50.8 | 72.72x6T WHIT | 27 |
| 2.5" | 60.2 | 63.5 | 85.42x6T WHIT | 27 |
| 3" | 72.9 | 76.2 | 98.12x6T WHIT | 27 |
| 4" | 97.6 | 101.6 | 123.52x6T WHIT | 27 |
| 6" | 100 | 104 | 123.52x6T WHIT | 27 |



RJT UNION

RJT Union Blank

| SIZE | ϕA | ϕB | ϕC | L |
|------|----------|----------|----------|---|
| 1" | 37.8 | 32.5 | 41.3 | 9 |
| 1.5" | 40.5 | 45.2 | 54 | 9 |
| 2" | 53.2 | 57.9 | 66.7 | 9 |
| 2.5" | 65.9 | 70.6 | 79.4 | 9 |
| 3" | 78.2 | 83.3 | 92.1 | 9 |
| 4" | 104 | 108.7 | 117.5 | 9 |
| 104 | 104 | 108.7 | 117.5 | 9 |



RJT Union Gasket

| Size | ϕA | ϕB | ϕC |
|------|----------|----------|----------|
| 1" | 33.3 | 6.6 | 3.2 |
| 1.5" | 46 | 6.6 | 3.2 |
| 2" | 58.7 | 6.6 | 3.2 |
| 2.5" | 71.4 | 6.6 | 3.2 |
| 3" | 84.1 | 6.6 | 3.2 |
| 4" | 109.5 | 6.6 | 3.2 |
| 6" | 162.6 | 6.6 | 3.2 |

