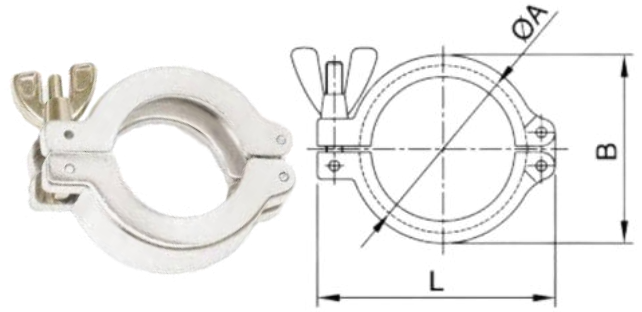


KF VACUUM UNION

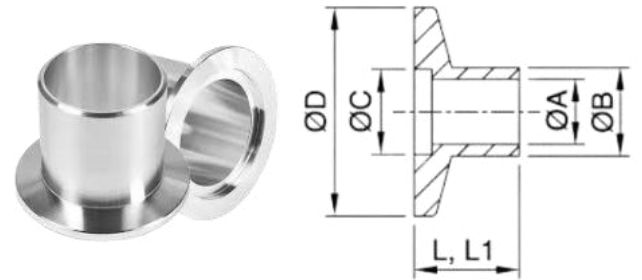
KF Union Aluminum Clamp Ring

Size	øA	øB	L
KF10/16	35	45	62
KF25	45	55	73
KF40	60	70	86.1
KF50	80	96	123



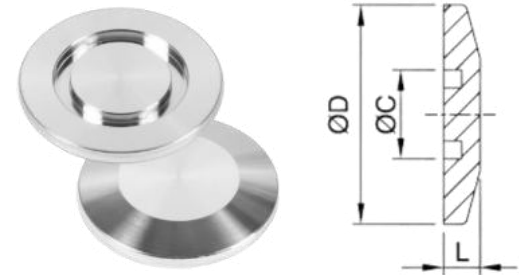
KF Union Flange

Size	øA	øB	øC	øD	L
KF10	9.4 (10)	12.7 (14)	12.2	30	12.7 or 30
KF16	15.7 (16)	19.06 (20)	17.3	30	
KF25	22.1 (25)	25.4 (28)	26.2	40	
KF40	33.8 (40)	38.1 (44.5)	41.1	55	
KF50	46.5 (50)	50.8 (54)	52.3	75	



KF Union Blank

Size	øC	øD	L
KF10	12.2	30	5.1
KF16	17.3	30	5.1
KF25	26.2	40	5.1
KF40	41.1	55	5.1
KF50	52.3	75	5.1



KF Union Centering Ring with Seal

SIZE	øA	øB	C	D
KF10	10	12	8	3.9
KF16	16	17	8	3.9
KF25	25	26	8	3.9
KF40	40	41	8	3.9
KF50	50	52	8	3.9

