

TANK SIGHT GLASS

Method of Operation-

Installed by welding on a tank, it provides a means of viewing the insides.

Commonly used to observe liquid levels and contents of a tank.

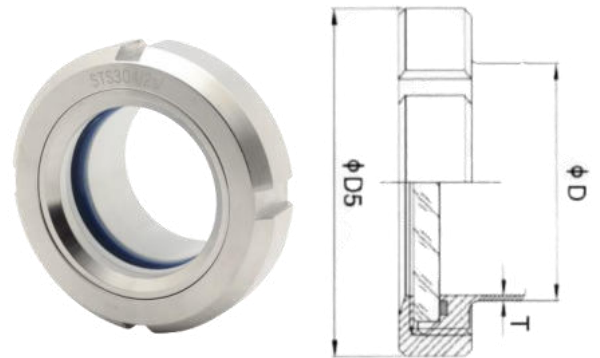
Size Availability- 1" to 4", DN100 & DN150

Material Availability- Body in SS 316L, Gaskets in EPDM, Teflon, Silicone

Pressure Rating- up to 10 bar

SMS Union Tank Sight Glass

SIZE	øD	øD5	øT
1"	25.4	50	1.25
1.5"	38.1	60	1.25
2"	50.8	72	1.25
2.5"	63.5	98	1.5
3"	76.1	114	1.5
4"	101.6	150	2



Flange Tank Sight Glass

Item	Description
1	Welding Flange
2	Cover Flange
3	Gasket
4	Sight Glass Disc
5	Nut
6	Screw

