

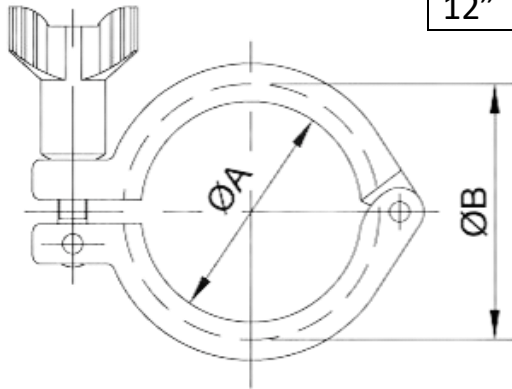
Clamp Union

The Clamp Union is comprised of a Clamp Ring, two ferrules, and a gasket. They come in 3A and DIN Standard.

The ferrules that come in contact with the product come in SS 304 and SS 316L while the clamp ring is only available in SS 304.

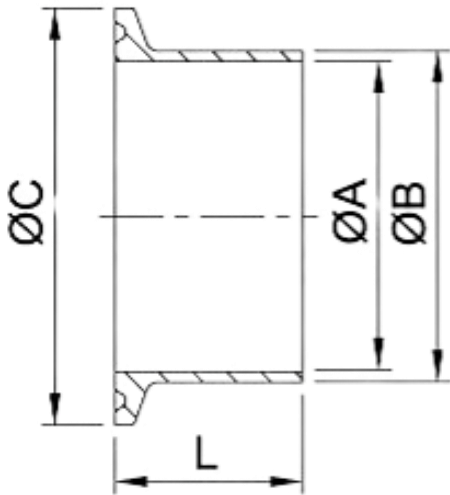
The gaskets come in Teflon, BUNA, EPDM, Silicone, and Viton.

The easiest way to identify a Clamp Union is by its **+ Shape Gasket**.



3A / SMS Clamp Ring		
Size	øA	øB
0.5" - 0.75"	20.0	28.0
1" - 1.5"	44.4	53.6
2"	57.8	67
2.5"	71.4	80.6
3"	84.0	94.2
4"	110.0	122.2
6"	155.4	170.4
8"	205.0	220.0
10"	257.0	272.0
12"	308.0	323.0

DIN Clamp Ring		
Size	øA	øB
DN 10	-	37.0
DN 15		
DN 20		
DN 25	44.4	53.6
DN 32		
DN 40		
DN 50	57.8	67.0
DN 65	84	94.2
DN 80	-	109.0
DN 100	110	122.2
DN 125	-	159.0
DN 150	-	187.0
DN 200	-	237.0
DN 250	257.0	272.0
DN 300	308.0	323.0



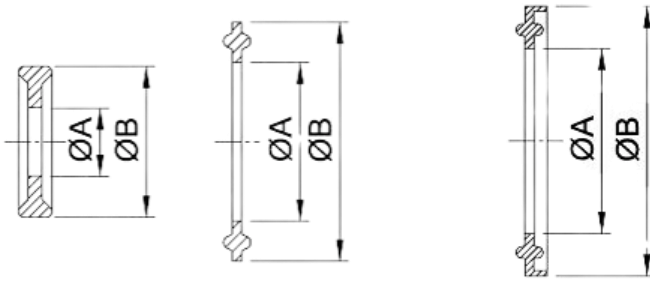
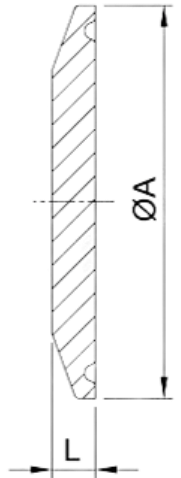
3A / SMS Welding Ferrule					
				Short	Long
Size	øA	øB	øC	L	L
0.5"	9.4	12.7	25	12.7	28.6
0.75"	15.75	19.05	25	12.7	28.6
1"	22.1	25.4	50.5	12.7	28.6
1.25	28.4	31.75	50.5	12.7	28.6
1.5"	34.8	38.1	50.5	12.7	28.6
2"	47.5	50.8	64	12.7	28.6
2.5"	60.2	63.5	77.5	12.7	28.6
3"	72.9	76.1	91	12.7	28.6
3.5"	84.9	88.9	106	15.9	28.6
4"	97.4	101.6	119	15.9	28.6
4.5	110.3	114.3	130	21.5	28.6 or 38.1
5"	123	127	144.5	21.5	28.6 or 38.1
5.5"	133.7	139.7	155	21.5	28.6 or 38.1
6"	146.86	152.5	166.87	21.5	28.6 or 38.1
8"	197.66	203.3	217.67	21.5	28.6 or 38.1
10"	247.2	254	268.47	21.5	28.6 or 38.1
12"	298	304.8	319.27	21.5	28.6 or 38.1

DIN Welding Ferrule				
Size	øA	øB	øC	L
DN 10	10	13	34	21.5
DN 15	16	19	34	21.5
DN 20	20	23	34	21.5
DN 25	26	29	50.5	21.5
DN 32	32	35	50.5	21.5
DN 40	38	41	50.5	21.5
DN 50	50	53	64	21.5
DN 65	66	70	91	21.5
DN 80	81	85	106	21.5
DN 100	100	104	119	28.6
DN 125	125	129	155	28.6
DN 150	150	154	183	28.6
DN 200	200	204	233.5	28.6
DN 250	250	254	268.5	28.6
DN 300	300	306	319.3	28.6

NKE FLOW COMPONENTS SUPPLY SDN BHD



0.5" - 0.75" 1" - 12"



13PG

13FG

Ferrule Gasket (EPDM, Silicon, Viton, PTFE)					
Plain Type 13 PG			Flange Type 13 FG		
Size	ϕA	ϕB	Size	ϕA	ϕB
0.5"	9.9	21.8	1"	22.8	52.7
0.75"	16.3	21.8	1.5"	35.8	52.7
1"	22.7	50	2"	48.8	66.2
1.2"	29.5	50.5	2.5"	60.5	79.7
1.5"	35.9	50	3"	73.1	93.2
2"	48.6	63.5	4"	97.8	121.2
2.5"	61.3	76.2	6"	148	169.1
3"	74	88.9	10"	249	270.7
3.5"	86	106	12"	300	321.5
4"	98.6	119	-	-	-
4.5"	110	130	-	-	-
5"	123	144.5	-	-	-
5.5"	134.7	155	-	-	-
6"	147.8	165	-	-	-
8"	196.6	216	-	-	-

Ferrule Blank			
3A	DIN	ϕA	L
0.5"-0.75"	-	25	6
-	DN10	34	6.3
-	DN15	34	6.3
-	DN20	34	6.3
1"	DN25	50.5	6.3
1.5"	DN32	50.5	6.3
-	DN40	50.5	6.3
2"	DN50	64	6.3
2.5"	DN70	77.5	6.3
3"	DN80	91	6.3
3.5"		106	6.3
4"	DN100	119	7.9
4.5"	-	130	7.9
5.5"	DN125	155	7.9
6"	-	166.8	11.1
-	DN150	183	11.1
8"	-	217.7	11.1
-	DN200	233.5	11.1
10"	-	268.5	11.1
12"	-	319.3	11.1