

# PIPE SUPPORT

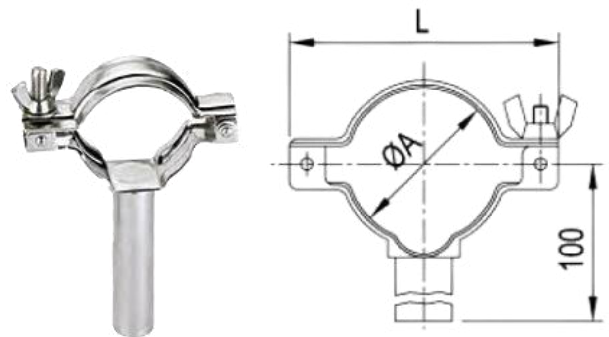
**Application-** Our Dairy **Pipe Supports** are designed to hang Food Grade Pipes. They come in **Bolted Type** and **Wing Nut Type**.

**Size Availability-** 0.5" to 8"

**Material-** SS 304

## TH-1 Pipe Support

SIZE	$\phi A$	L
1"	25.4	66
1.5"	38.1	76
2"	50.8	90
2.5"	63.5	105
3"	76.2	120
4"	101.6/104	146
6"	152.4	-



## TH-5 Pipe Support

SIZE	$\phi A1$	H	$\phi C$
0.5" / DN10	13	45	8
0.75" / DN15	19	45	8
1" / DN25	25.4	45	8
1.25" / DN32	34	51.5	10
1.5" / DN40	38.1	51.5	10
2" / DN50	51	58	12
2.5" / DN65	63.5	64	12
3" / DN80	76.1	70.5	15
4" / DN100	101.6	60	15
5" / DIN 125	129	60	15
6" / DIN 150	154	60	15
8" / DIN 200	204	60	15
10" / DIN 250	254	60	15
12" / DIN 300	306	60	15

