

High Vacuum Ball Valve



Method of Operation -

Turning the handle turns the valve ball either parallel or perpendicular to the flow to control or shut off flow. Can be mounted to most commercial actuators due.

Size Availability - KF15-KF50

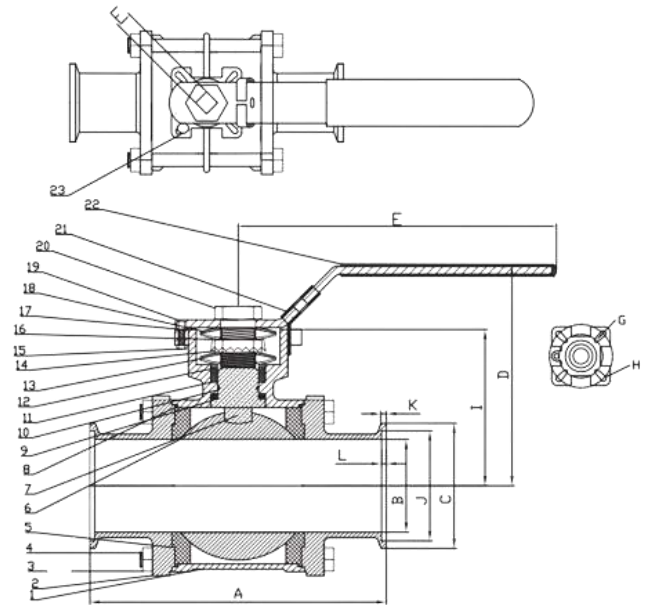
Material Availability - Body in SS 304 and SS 316L, Gasket in PTFE

Connection Availability - Weld Ends, KF Flange Ends

Pressure 10^{-6} - 10^{-10} Pa•m²/s

High Vacuum Ball Valve

No.	Part Name	Material
1	Body	ASTM A351 CF8M
2	Cap	ASTM-A351 CF8M
3	Hex Nut	304
4	Bolt	304
5	Seat	PTFE
6	Ball	316
7	Stem	316
8	Stem Packing	PTFE
9	Ring	PTFE
10	O-Ring	Viton
11	Thrust Washer	PTFE
12	Gasket	304
13	Butterfly Spring	304
14	Hex Nut	304
15	Hex Nut	304
16	Washer	304
17	Bolt	304
18	Butterfly Spring	304
19	Handle	304
20	Handle Nut	304
21	Lock Washer	304
22	Handle Cover	Plastic
23	Stop Pin	304



Three-Piece Body Ball Valve with KF Flange Ends

Size	A	B	C	D	E	F	G	H	I	J	K	L
KF10	103.4	9.4	30	68	131	9	F03	F04	43	12.2	3	2.54
KF15	103.4	15.75	30	68	131	9	F03	F04	43	17.3	3	2.54
KF25	114.2	22.1	50.5	86	169	11	F04	F05	51	26.2	3	2.54
KF40	136.7	34.8	55	122.5	213	14	F05	F07	77	41.2	3	2.54
KF50	153.2	46.5	75	122.5	213	14	F05	F07	79	52.3	3	2.54