

# SANITARY FILTER

**Application-** The internal cartridge with perforated plate and wire mesh eliminates contaminants.

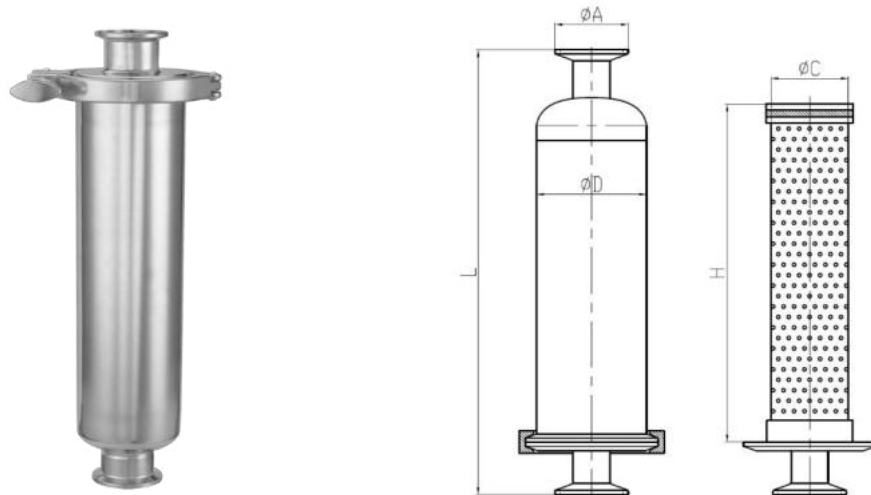
**Connection Size Availability-** 1" to 4"

**Housing Types-** Inline Strainer, Angle Strainer, Wye

**Mesh Size Availability-** 20 to 500 mesh

**Material Availability-** Body and cartridge in SS 304 or SS 316L

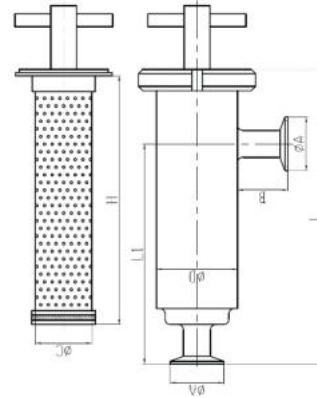
**Connection Availability-** Weld Ends, Ferrule Ends



## Inline Filter with Ferrule Ends and Weld Ends

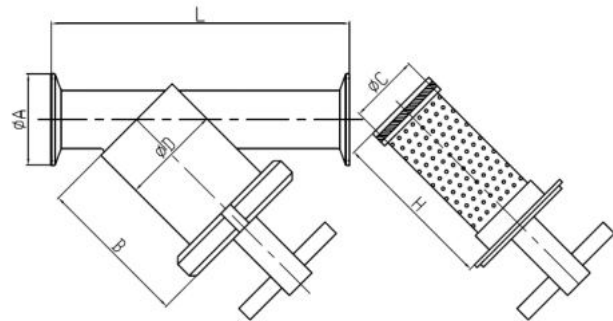
Size	A Ferrule	A Weld	L	D	C	H
1"	50.5	25.4	306	76	47	210
1.5"	50.5	38.1	306	76	47	210
2"	64	50.8	406	89	60	290
2.5"	77	63.5	506	102	72	400
3"	91	76.2	556	114	88	450
4"	119	101.6	666	159	120	550

# SANITARY FILTER



## Angle Filter with Ferrule Ends and Weld Ends

Size	A Ferrule	A Weld	L	L1	D	B	C	H
1"	50.5	25.4	306	212	76	40	46	256
1.5"	50.5	38.1	306	212	76	40	46	256
2"	64	50.8	406	285	89	40	58	356
2.5"	77.5	63.5	506	386	102	40	71	456
3"	91	76.2	556	422	114	45	80	516
4"	119	101.6	666	500	159	50	117	626



## Wye Filter with Ferrule Ends and Weld Ends

Size	A Ferrule	A Weld	L	D	B	C	H
1"	50.5	25.4	170	45	110	30	98
1.5"	50.5	38.1	205	63	130	40	118
2"	64	50.8	225	76	150	51	138
2.5"	77.5	63.5	275	89	185	71	173
3"	91	76.2	310	102	205	71	193
4"	119	101.6	390	133	270	100	258