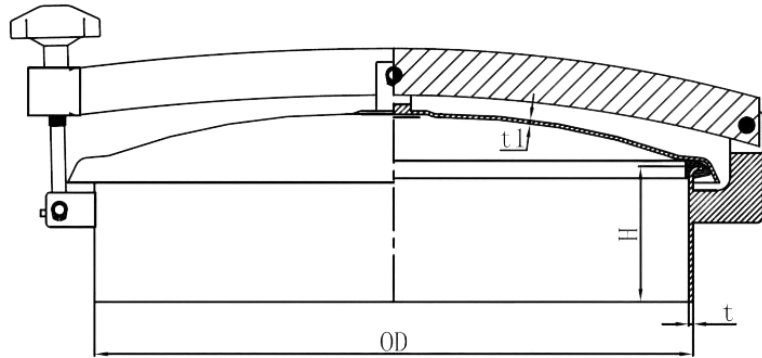


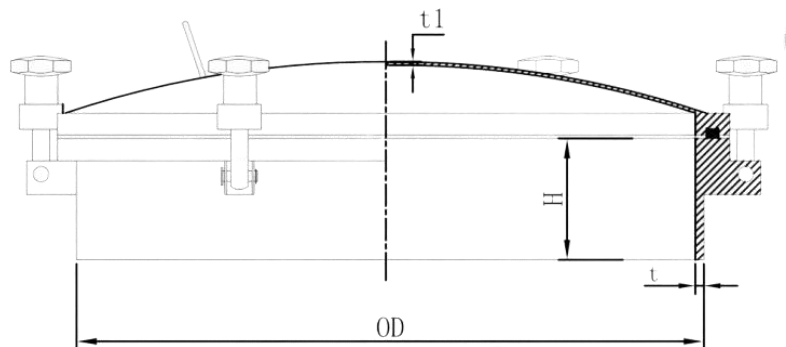
## Manhole Covers

### Round Manhole Cover



**Round Non Pressure Manhole Cover (0 – 0.1 Bar)**

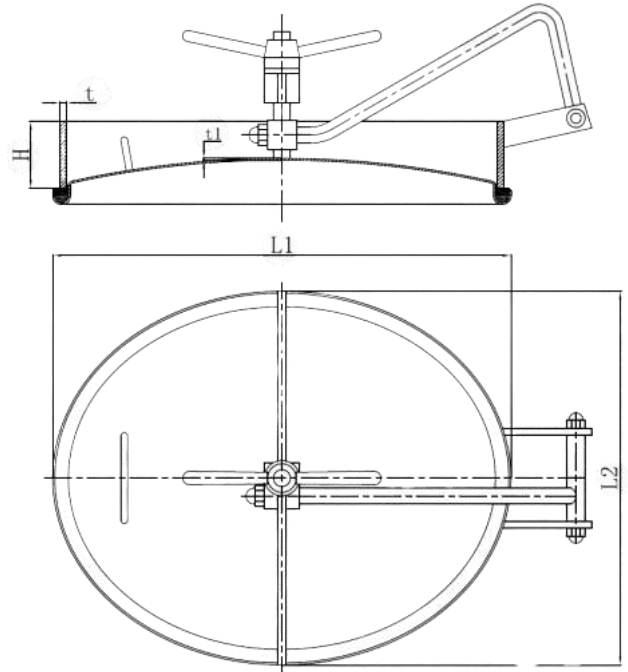
Size	Ø200	Ø300	Ø400	Ø420	Ø450	Ø460	Ø500	Ø600
OD	200	300	400	420	450	460	500	600
T	3	3	3	2.5	3	2.5	3	3
H	100	100	100	100	100	100	100	100
T1	2.5	2.5	2.5	2.5	2.5	2.5	2.5	2.5



**Round Pressure Manhole Cover (-1 to 3 Bar)**

Size	Ø200	Ø300	Ø400	Ø450	Ø500	Ø600
OD	206	306	406	456	506	605
T	3	3	3	3	3	3
H	100	100	100	100	100	100
T1	3	3	3	3	3	3
Handles	4	5	6	6	6	8

## Oval Manhole Cover



Oval Manhole Cover (-1 to 3 Bar)						
Size (L1 x L2)	430x330mm	435x335mm	450x350mm	530x430mm	535x435mm	635x525mm
T	8	8	8	8	10	10
H	80	80	80	80	80	80
T1	2.5	2.5	3	3	3	3

