

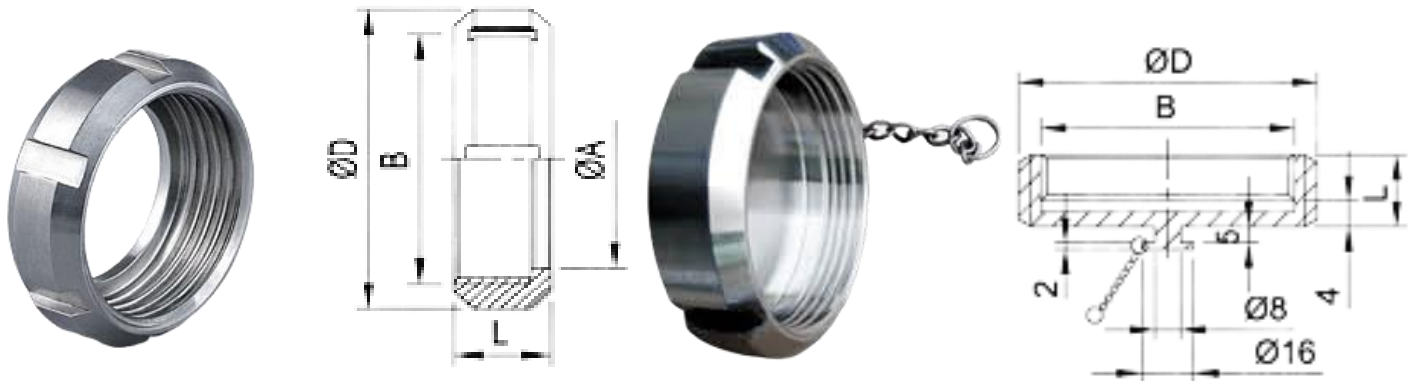
Unions

SMS Union (Swedish Metric Standard)

The SMS Union is comprised of a round slotted nut, male part, a liner, and a gasket.

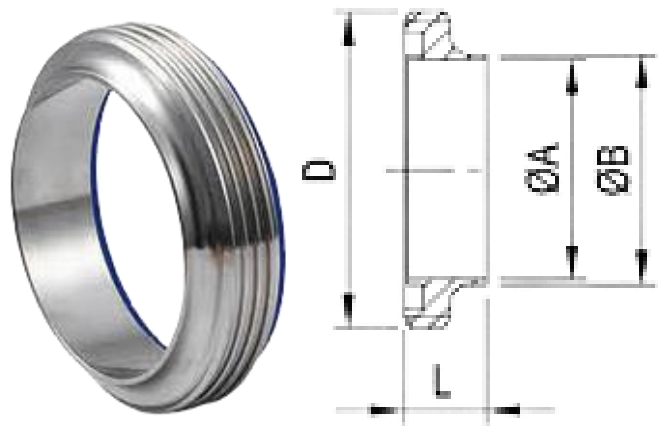
The male part and liner that comes in contact with the product come in SS 304 and SS 316L while the round nut is SS 304.

The gaskets comes in Teflon, BUNA, EPDM, Silicone, and Viton.



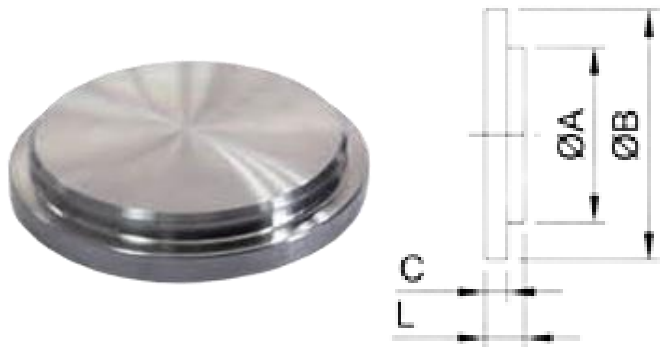
SMS Nut 6 Slots SMS-13R				
Size	$\varnothing A$	B	$\varnothing D$	L
1"	32	RD40x1/6	51	19
1.5"	48	RD60x1/6	74	23
2"	60.5	RD70x1/6	84	24
2.5"	74	RD85x1/6	100	28
3"	87	RD98x1/6	114	30
4"	113	RD125x1/4	138	31
4B"	117	RD132x1/6	150	45

SMS Blank Nut 13 RBN			
Size	B	$\varnothing D$	L
1"	RD40x1/6	51	19
1.5"	RD60x1/6	74	23
2"	RD70x1/6	84	24
2.5"	RD85x1/6	100	28
3"	RD98x1/6	114	30
4"	RD125x1/4	138	31
4B"	RD132x1/6	150	45



Short Welding Liner SMS-14S				
Size	øA	øB	øD	L
1"	22.5	25	35.5	11
1.5"	35.5	38	55	16
2"	48.5	51	65	17
2.5"	60.5	63.5	80	17
3"	72	76	93	19
4"	97.6	101.6	118	19
4B"	98.5	102.5	127	19

Short Welding Male SMS-15S				
Size	øA	øB	D	L
1"	22.5	25	RD40x1/6	18
1.5"	35.5	38	RD60x1/6	21
2"	48.5	51	RD70x1/6	21
2.5"	60.5	63.5	RD85x1/6	23
3"	72	76	RD98x1/6	23
4"	97.6	101.6	RD125x1/4	26
4B"	98.5	102.5	RD132x1/6	26



SMS-14B Blanks				
Size	øA	øB	øC	L
1"	32	35.5	3.5	7.5
1.5"	48	55	5	9
2"	60	65	5	10
2.5"	73.5	80	5	10
3"	86	93	5	11
4"	112	118	6	11
4B"	116	128	6	11

Seal Ring L Shape (EPDM, Silicon, Viton)			
Size	øA	øB	øC
1"	22.8	25.1	31.8
1.5"	35.8	38.1	47.8
2"	48.8	51.1	60.8
2.5"	61	63.6	73.3
3"	73.4	76.1	85.8
4"/4B"	100.5	104	115.7