

SANITARY THREE-PIECE BODY BALL VALVE



Method of Operation-

Turning the handle turns the valve ball either parallel or perpendicular to the flow to control or shut off flow. Can be mounted to most commercial actuators due.

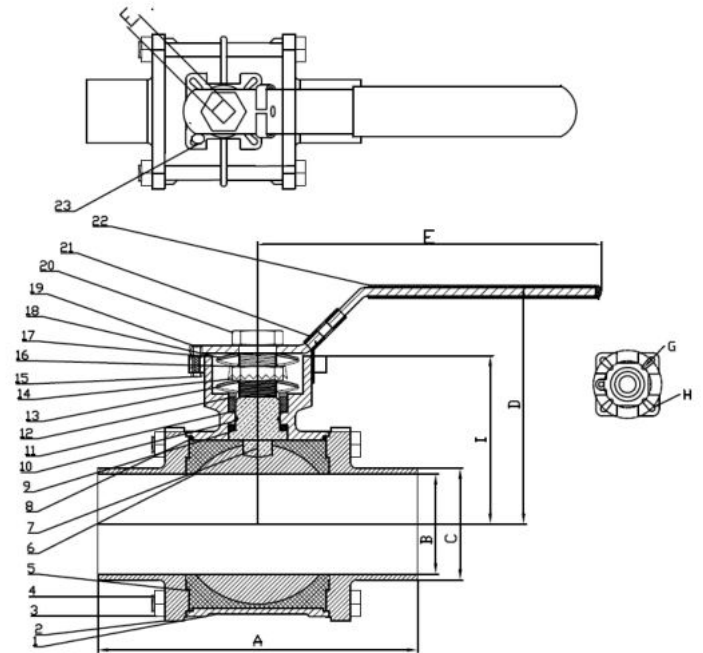
Size Availability- 0.5" to 4"

Material Availability- Body in SS 304 and SS 316L, Gasket in PTFE

Connection Availability- Weld Ends, Ferrule Ends

THREE-PIECE BODY BALL VALVE

No.	Part Name	Material
1	Body	ASTM A351 CF8M
2	Cap	ASTM-A351 CF8M
3	Hex Nut	304
4	Bolt	304
5	Seat	PTFE
6	Ball	A351 CF8M
7	Stem	316
8	Stem Packing	PTFE
9	Ring	PTFE
10	O-Ring	Viton
11	Thrust Washer	PTFE
12	Gasket	PTFE
13	Butterfly Spring	304
14	Hex Nut	304
15	Hex Nut	304
16	Washer	304
17	Bolt	304
18	Butterfly Spring	304
19	Handle	304
20	Handle Nut	304
21	Lock Washer	304
22	Handle Cover	Plastic
23	Stop Pin	304



Three-Piece Body Ball Valve Ferrule & Weld Ends

Size	A	B	C Weld	C Ferrule	D	E	F	G	H	I	Torque
0.5"	90.5	9.4	12.7	25.2	64	131	9	F03	F04	37	4~10
0.75"	103.4	15.75	19.5	25.2	68	131	9	F03	F04	43	4~10
1"	114.2	22.1	25.4	50.5	86	169	11	F04	F05	51	5~15
1.5"	136.7	34.8	38.1	50.5	122.5	213	14	F05	F07	71	10~25
2"	153.2	47.5	50.8	64	122.5	213	14	F05	F07	79	15~30
2.5"	167.3	60.2	63.5	77.5	139.5	213	14	F05	F07	94	20~35
3"	192.3	82.9	76.2	91	165	320	17	F07	F10	109.5	40~65
4"	239.5	97.4	101.6	119	177	320	17	F07	F10	123	40~80