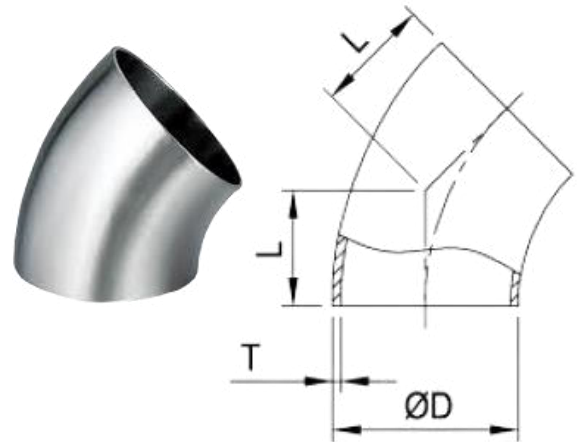


ELBOW

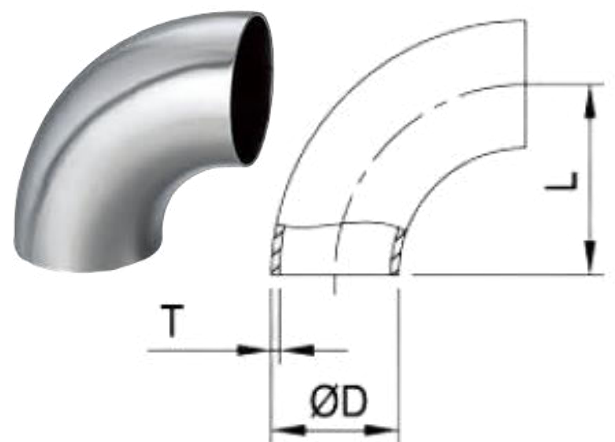
45 Deg Elbow

Size	øD	L	T
0.5"	12.7	13.16	1.65
0.75"	19.05	23.8	1.65
1"	25.4	15.8	1.65
1.5"	38.1	23.8	1.65
2"	50.8	31.75	1.65
2.5"	63.5	39.6	1.65
3"	76.2	47.6	1.65
4"	101.6	63.5	2.1



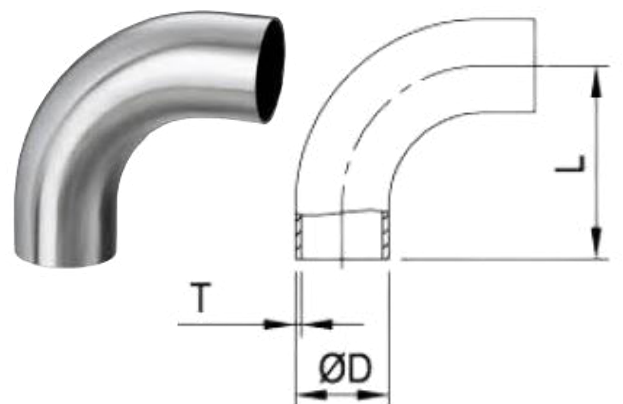
90 Deg Elbow

Size	øD	L	T
0.5"	12.7	13.16	1.65
0.75"	19.05	23.8	1.65
1"	25.4	15.8	1.65
1.5"	38.1	23.8	1.65
2"	50.8	31.75	1.65
2.5"	63.5	39.6	1.65
3"	76.2	47.6	1.65
4"	101.6	63.5	2.1



90 Deg Long Elbow

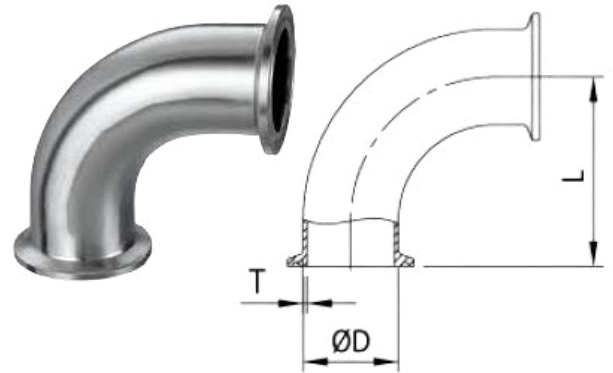
Size	øD	L	T
0.5"	12.7	45	1.65
0.75"	19.05	60	1.65
1"	25.4	52.4	1.65
1.5"	38.1	74.6	1.65
2"	50.8	103.2	1.65
2.5"	63.5	131.8	1.65
3"	76.2	160.3	1.65
4"	101.6	211.1	2.1



ELBOW

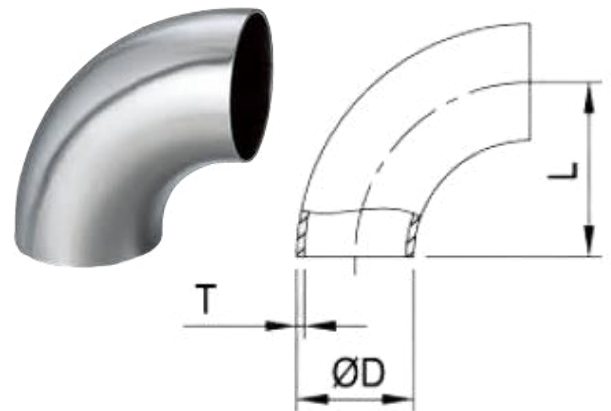
90 Deg Elbow with Ferrule Ends

Size	øD	L	T
0.5"	12.7	41.3	1.65
0.75"	19.05	41.3	1.65
1"	25.4	50.8	1.65
1.5"	38.1	69.9	1.65
2"	50.8	88.9	1.65
2.5"	63.5	107.95	1.65
3"	76.2	127	1.65
4"	101.6	168.2	2.1



DIN 90 Deg Elbow

Size	øD	L	T
DN 10	13	26	1.5
DN 15	19	35	1.5
DN 20	23	40	1.5
DN 25	29	50	1.5
DN 32	35	55	1.5
DN 40	41	60	1.5
DN 50	53	70	1.5
DN 65	70	80	2
DN 80	85	90	2
DN 100	104	100	2
DN 125	129	187.5	2
DN 150	154	225	2
DN 200	204	301	2
DN 250	254	375	2
DN 300	306	300	3



TEE

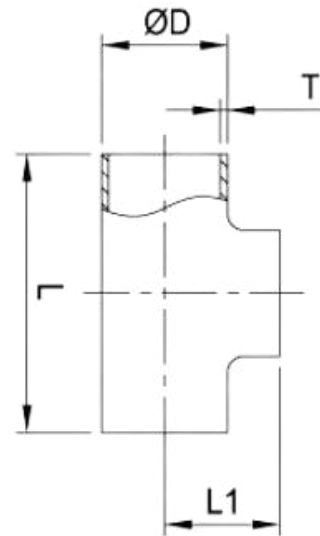
Equal Tee

SIZE	øD	L	L1	T
0.5"	12.7	38.1	19.05	1.65
0.75"	19.05	57.2	28.6	1.65
1"	25.4	57.2	28.6	1.65
1.5"	38.1	84.2	42.1	1.65
2"	50.8	104.8	52.4	1.65
2.5"	63.5	119.0	59.5	1.65
3"	76.2	131.8	65.9	1.65
4"	101.6	174.6	87.3	2.1



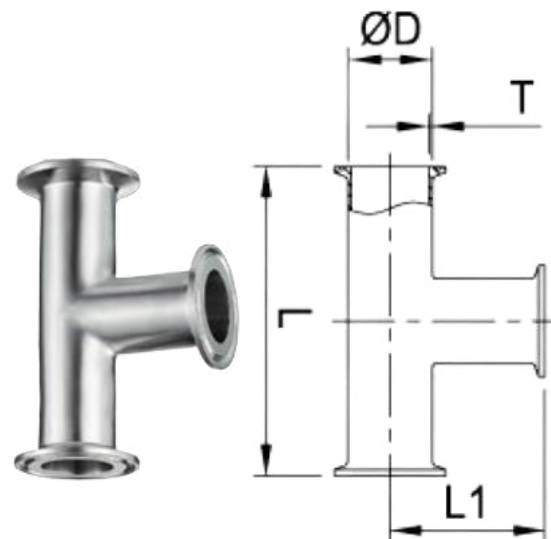
Long Equal Tee

SIZE	øD	L	L1	T
0.5"	12.7	95.2	47.6	1.65
0.75"	19.05	95.2	47.6	1.65
1"	25.4	95.2	47.6	1.65
1.5"	38.1	114.4	57.2	1.65
2"	50.8	152.4	76.2	1.65
2.5"	63.5	152.4	76.2	1.65
3"	76.2	165.2	82.6	1.65
4"	101.6	196.8	98.4	2.1



Equal Tee with Ferrule Ends

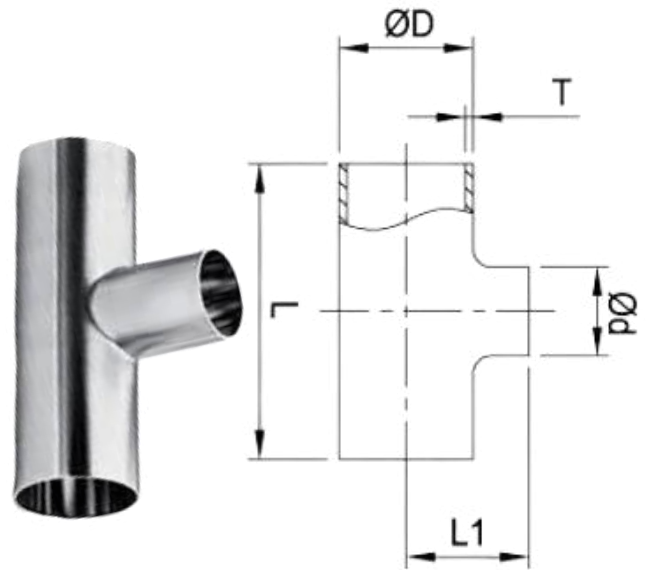
SIZE	øD	L	L1	T
0.5"	12.7	63.5	31.75	1.65
0.75"	19.05	120.6	60.3	1.65
1"	25.4	120.6	60.3	1.65
1.5"	38.1	139.8	69.9	1.65
2"	50.8	177.8	88.9	1.65
2.5"	63.5	177.8	88.9	1.65
3"	76.2	190.6	95.3	1.65
4"	101.6	228.4	114.2	2.1



TEE

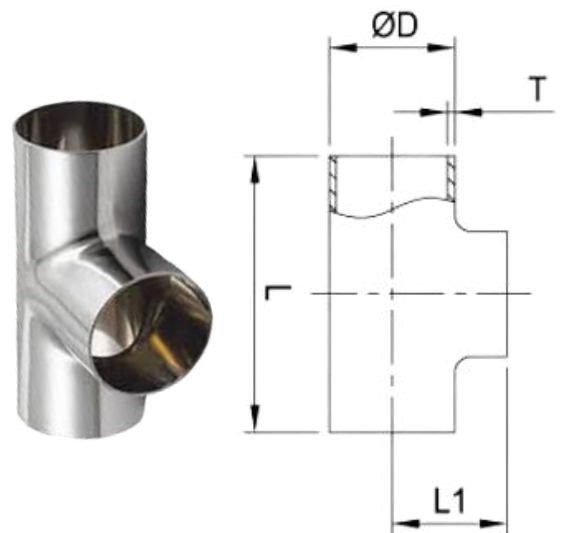
Reducing Tee

Size	øD	ød	L	L1	T
1.5"x1"	38.1	25.4	84.2	34.9	1.65
2"x1"	50.8	25.4	104.8	41.3	1.65
2"x1.5"	50.8	38.1	104.8	48.4	1.65
2.5"x1"	63.5	25.4	119	47.63	1.65
2.5"x1.5"	63.5	38.1	119	54.75	1.65
2.5"x2"	63.5	50.8	119	58.7	1.65
3"x1"	76.2	25.4	131.8	54	1.65
3"x1.5"	76.2	38.1	131.8	65.1	1.65
3"x2"	76.2	50.8	131.8	65.1	1.65
3"x2.5"	76.2	63.5	131.8	65.9	2
4"x1"	101.6	25.4	174.6	66.7	2
4"x1.5"	101.6	38.1	174.6	108.0	2
4"x2"	101.6	50.8	174.6	108.0	2
4"x2.5"	101.6	63.5	174.6	108.0	2
4"x3"	101.6	76.2	174.6	108.0	2



DIN Equal Tee

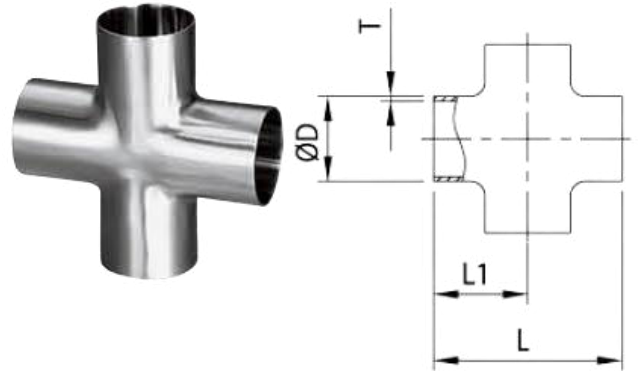
SIZE	øD	L	L1	T
DN 10	13	54	26	1.5
DN 15	19	70	35	1.5
DN 20	23	94	47	1.5
DN 25	29	100	50	1.5
DN 32	35	110	55	1.5
DN 40	41	120	60	1.5
DN 50	53	140	70	1.5
DN 65	70	160	80	2
DN 80	85	180	90	2
DN 100	104	200	100	2
DN 125	129	375	187.5	2
DN 150	154	450	225	2
DN 200	204	600	300	2
DN 250	254	750	375	2
DN 300	306	750	375	3



CROSS & WYE

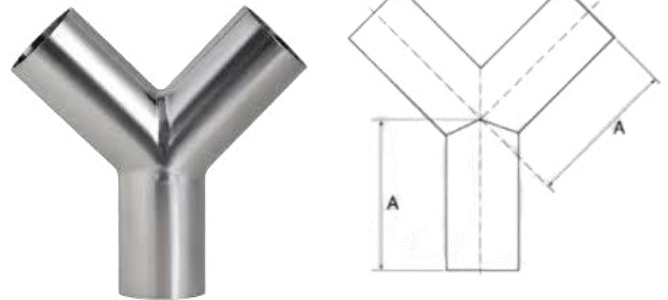
Equal Short Cross

SIZE	øD	L	L1	T
1"	25.4	57.2	28.6	1.65
1.5"	38.1	84.2	42.1	1.65
2"	50.8	104.8	52.4	1.65
2.5"	63.5	119.0	59.5	1.65
3"	76.2	131.8	65.9	1.65
4"	101.6	174.6	87.3	2



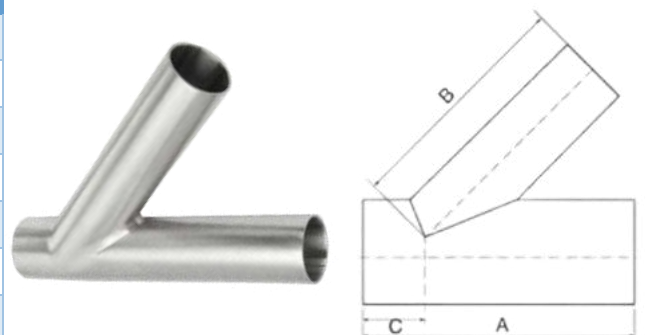
True Wye

SIZE	A
0.5"	50.8
0.75"	50.8
1"	76.2
1.5"	76.2
2"	101.6
2.5"	127
3"	152.4
4"	203.2



Lateral Wye

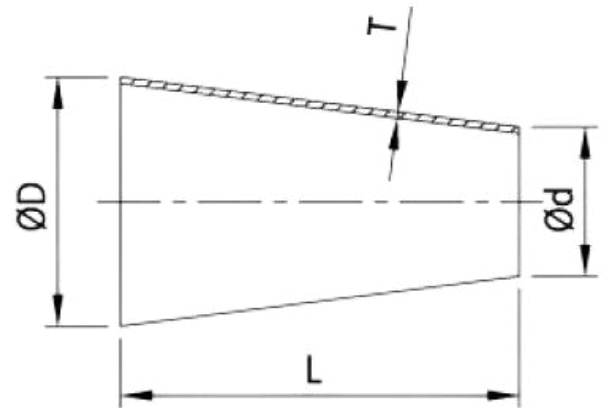
SIZE	A	B	C
0.5"	152.4	127	25.4
0.75"	152.4	127	25.4
1"	152.4	127	25.4
1.5"	187.3	173.1	30.2
2"	222.2	180.9	41.3
2.5"	254	215.9	38.1
3"	273.1	225.4	47.6
4"	325.5	273.1	52.4



CONCENTRIC REDUCER

Concentric Reducer without Straight End

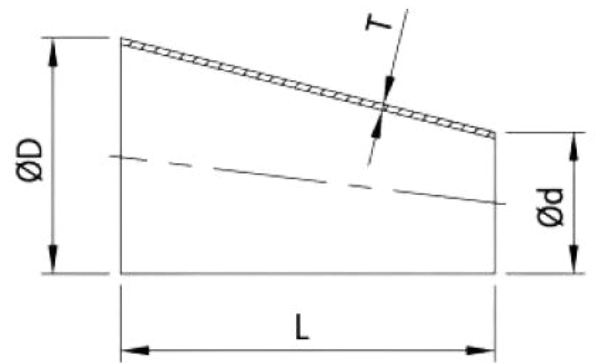
SIZE	øD	ød	L	T
0.75"x0.5"	19.05	12.7	50.8	1.65
1"x0.5"	25.4	12.7	50.8	1.65
1.5"x0.5"	38.1	12.7	101.6	1.65
2"x0.5"	50.8	12.7	152.4	1.65
1"x0.75"	25.4	19.05	25.4	1.65
1.5"x0.75"	38.1	19.05	76.2	1.65
1.5"x1"	38.1	25.4	50.8	1.65
2"x1"	50.8	25.4	101.6	1.65
2"x1.5"	50.8	38.1	50.8	1.65
2.5"x1"	63.5	25.4	152.4	1.65
2.5"x1.5"	63.5	38.1	101.6	1.65
2.5"x2"	63.5	50.8	50.8	1.65
3"x1"	76.2	25.4	203.2	1.65
3"x1.5"	76.2	38.1	152.4	1.65
3"x2"	76.2	50.8	101.6	1.65
3"x2.5"	76.2	63.5	50.8	1.65
4"x1.5"	101.6	38.1	254	2
4"x2"	101.6	50.8	203.2	2
4"x2.5"	101.6	63.5	152.4	2
4"x3"	101.6	76.2	101.6	2
6"x2"	152.4	50.8	406.4	2
6"x3"	152.4	76.2	304.8	2
6"x4"	152.4	101.6	203.2	2



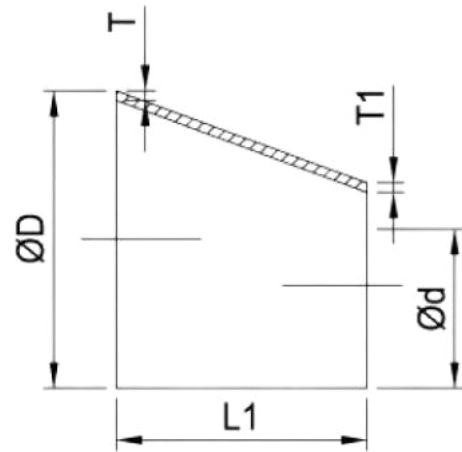
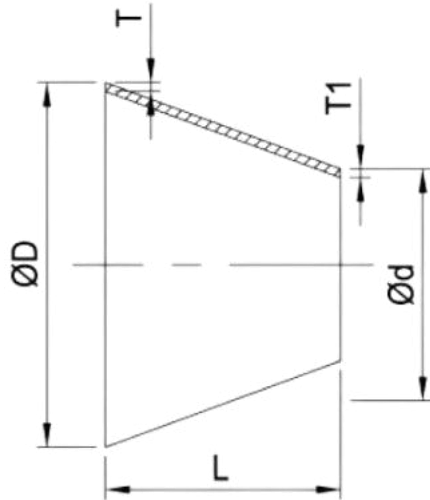
ECCENTRIC REDUCER

Eccentric Reducer without Straight End

SIZE	ϕD	ϕd	L	T
0.75"x0.5"	19.05	12.7	25.4	1.65
1"x0.5"	25.4	12.7	50.8	1.65
1.5"x0.5"	38.1	12.7	101.6	1.65
2"x0.5"	50.8	12.7	152.4	1.65
1"x0.75"	25.4	19.05	25.4	1.65
1.5"x0.75"	38.1	19.05	76.2	1.65
2"x0.75"	50.8	19.05	127	1.65
1.5"x1.0"	38.1	25.4	50.8	1.65
2"x1"	50.8	25.4	101.6	1.65
2"x1.5"	50.8	38.1	50.8	1.65
2.5"x1"	63.5	25.4	152.4	1.65
2.5"x1.5"	63.5	38.1	101.6	1.65
2.5"x2"	63.5	50.8	50.8	1.65
3"x1"	76.2	25.4	203.2	1.65
3"x1.5"	76.2	38.1	152.4	1.65
3"x2"	76.2	50.8	101.6	1.65
3"x2.5"	76.2	63.5	50.8	1.65
4"x1.5"	101.6	38.1	254	2
4"x2"	101.6	50.8	203.2	2
4"x2.5"	101.6	63.5	152.4	2
4"x3"	101.6	76.2	101.6	2
6"x2"	152.4	50.8	406.4	2
6"x3"	152.4	76.2	304.8	2
6"x4"	152.4	101.6	203.2	2



DIN CONCENTRIC & ECCENTRIC REDUCER



DIN Concentric Reducer

DIN Eccentric Reducer

SIZE	$\varnothing D$	$\varnothing d$	T	L	L1	T1
32x25	34	28	1.5	25	16.5	1.5
40x25	40	28	1.5	23	33	1.5
40x32	40	34	1.5	23	16.5	1.5
50x25	52	28	1.5	27	66	1.5
50x32	52	34	1.5	28	49.5	1.5
50x40	52	40	1.5	27	33	1.5
65x25	70	28	1.5	35	75	1.5
65x40	70	40	2	39	77	1.5
65x50	70	52	2	29	44	1.5
80x50	85	52	2	45	85	1.5
80x65	85	70	2	33	41.2	2
100x50	104	52	2	50	137.5	1.5
100x65	104	70	2	44	93.5	2
100x80	104	85	2	60	52.5	2

HOSE FERRULE ADAPTER & TUBE CAP

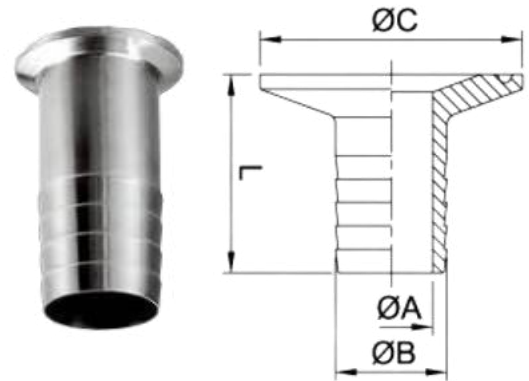
Application- Used to connect hoses to a ferrule with just a hose clip for low pressure applications

Size Availability- 0.5" to 4"

Material- SS 304 or SS 316L

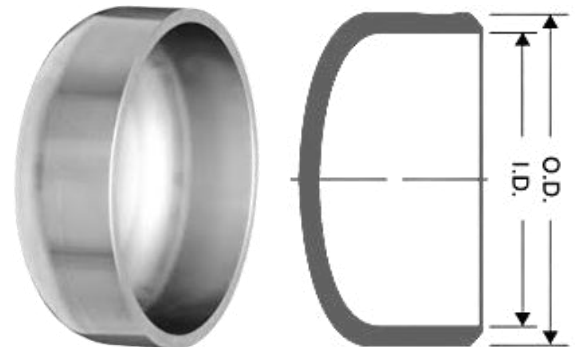
Hose Ferrule Adapter

SIZE	ØA	ØB	ØC	L
0.5"	9.5	13.7	25	38
1"x0.5"	9.5	13.7	50.5	38
0.75"	15.8	21.4	25	38
1"x0.75"	15.8	21.4	50.5	38
1"	20.6	25.4	50.5	43
1.5"	33.2	38.1	50.5	43
2"	46	50.8	64	58.7
2.5"	58.7	63.5	77.5	59.5
3"	72	76.2	91	78.6
4"	97.6	101.6	119	85.5



Tube Cap

SMS/3A	OD	DI	DIN	OD	ID
0.5"	12.7	9.4	-	-	-
0.75"	19.05	15.75	-	-	-
1"	25.4	22.1	DN25	29	26
-	-	-	DN32	35	32
1.5"	38.1	34.8	DN40	41	38
2"	50.8	47.5	DN50	53	50
2.5"	63.5	60.2	DN65	70	66
3"	76.2	72.9	DN80	85	81
4"	101.6	97.4	DN100	104	100
-	-	-	DN125	129	125
-	-	-	DN150	154	150



PIPE SUPPORT

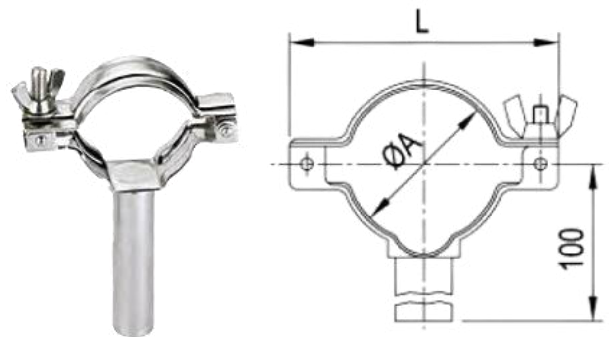
Application- Our Dairy **Pipe Supports** are designed to hang Food Grade Pipes. They come in **Bolted Type** and **Wing Nut Type**.

Size Availability- 0.5" to 8"

Material- SS 304

TH-1 Pipe Support

SIZE	ϕA	L
1"	25.4	66
1.5"	38.1	76
2"	50.8	90
2.5"	63.5	105
3"	76.2	120
4"	101.6/104	146
6"	152.4	-



TH-5 Pipe Support

SIZE	$\phi A1$	H	ϕC
0.5" / DN10	13	45	8
0.75" / DN15	19	45	8
1" / DN25	25.4	45	8
1.25" / DN32	34	51.5	10
1.5" / DN40	38.1	51.5	10
2" / DN50	51	58	12
2.5" / DN65	63.5	64	12
3" / DN80	76.1	70.5	15
4" / DN100	101.6	60	15
5" / DIN 125	129	60	15
6" / DIN 150	154	60	15
8" / DIN 200	204	60	15
10" / DIN 250	254	60	15
12" / DIN 300	306	60	15

