

INLINE SIGHT GLASS

Application- The clear tube allows operators an easy inspection of the product flow.

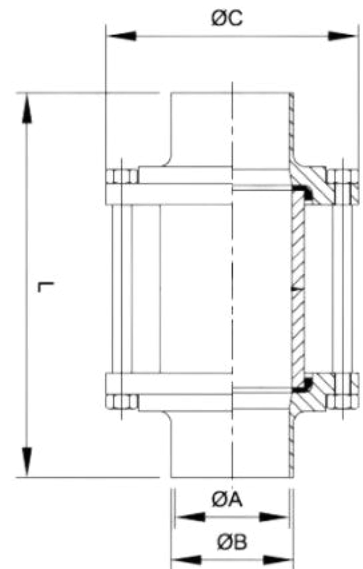
Size Availability- 1" to 4"

Material Availability- SS 316L body houses a Borosilicate Glass Tube

Connection Availability- Weld Ends, Ferrule Ends

Inline Sight Glass with Weld Ends

Size	ØA	ØB	ØC	L
1"	22.1	25.4	79	130
1.5"	34.8	38.1	85	128
2"	47.5	50.8	100	133
2.5"	60.2	63.5	115	131
3"	72.9	76.2	127	134
4"	97.6	101.6	156	135



Inline Sight Glass with Ferrule Ends

Size	ØA	ØB	ØC	L
1"	22.1	50.5	79	153
1.5"	34.8	50.5	85	151
2"	47.5	64	100	155
2.5"	60.2	77.5	115	153
3"	72.9	91	127	156
4"	97.6	119	156	165

