

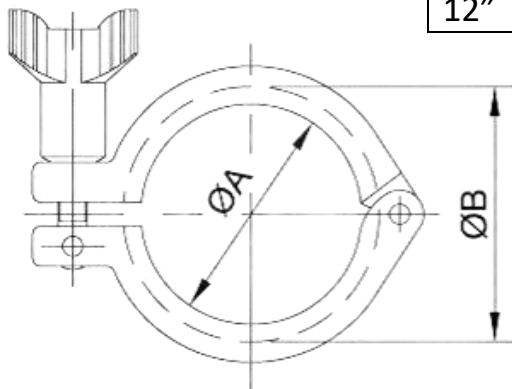
Clamp Union

The Clamp Union is comprised of a Clamp Ring, two ferrules, and a gasket. They come in 3A and DIN Standard.

The ferrules that come in contact with the product come in SS 304 and SS 316L while the clamp ring is only available in SS 304.

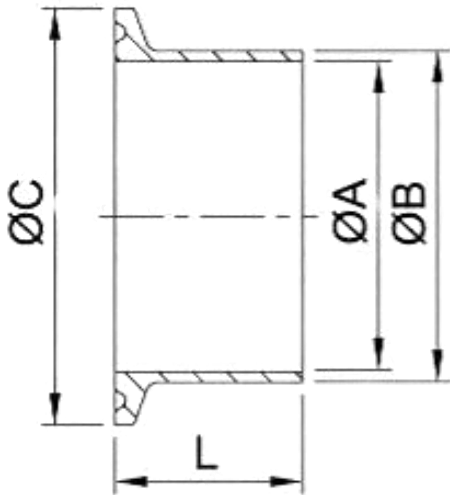
The gaskets come in Teflon, BUNA, EPDM, Silicone, and Viton.

The easiest way to identify a Clamp Union is by its **+ Shape Gasket**.



| 3A / SMS Clamp Ring | | |
|---------------------|-------|-------|
| Size | ØA | ØB |
| 0.5" - 0.75" | 20.0 | 28.0 |
| 1" - 1.5" | 44.4 | 53.6 |
| 2" | 57.8 | 67 |
| 2.5" | 71.4 | 80.6 |
| 3" | 84.0 | 94.2 |
| 4" | 110.0 | 122.2 |
| 6" | 155.4 | 170.4 |
| 8" | 205.0 | 220.0 |
| 10" | 257.0 | 272.0 |
| 12" | 308.0 | 323.0 |

| DIN Clamp Ring | | |
|----------------|-------|-------|
| Size | ØA | ØB |
| DN 10 | - | 37.0 |
| DN 15 | | |
| DN 20 | | |
| DN 25 | 44.4 | 53.6 |
| DN 32 | | |
| DN 40 | | |
| DN 50 | 57.8 | 67.0 |
| DN 65 | 84 | 94.2 |
| DN 80 | - | 109.0 |
| DN 100 | 110 | 122.2 |
| DN 125 | - | 159.0 |
| DN 150 | - | 187.0 |
| DN 200 | - | 237.0 |
| DN 250 | 257.0 | 272.0 |
| DN 300 | 308.0 | 323.0 |



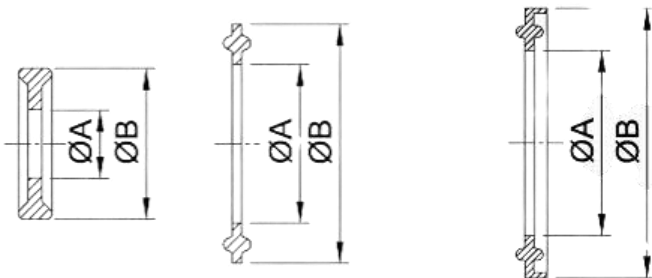
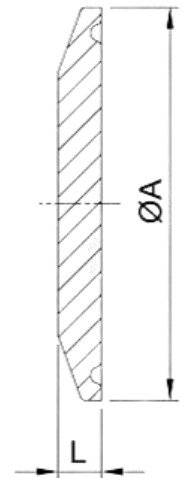
| 3A / SMS Welding Ferrule | | | | | |
|--------------------------|--------|-------|--------|-------|--------------|
| | | | | Short | Long |
| Size | øA | øB | øC | L | L |
| 0.5" | 9.4 | 12.7 | 25 | 12.7 | 28.6 |
| 0.75" | 15.75 | 19.05 | 25 | 12.7 | 28.6 |
| 1" | 22.1 | 25.4 | 50.5 | 12.7 | 28.6 |
| 1.25 | 28.4 | 31.75 | 50.5 | 12.7 | 28.6 |
| 1.5" | 34.8 | 38.1 | 50.5 | 12.7 | 28.6 |
| 2" | 47.5 | 50.8 | 64 | 12.7 | 28.6 |
| 2.5" | 60.2 | 63.5 | 77.5 | 12.7 | 28.6 |
| 3" | 72.9 | 76.1 | 91 | 12.7 | 28.6 |
| 3.5" | 84.9 | 88.9 | 106 | 15.9 | 28.6 |
| 4" | 97.4 | 101.6 | 119 | 15.9 | 28.6 |
| 4.5 | 110.3 | 114.3 | 130 | 21.5 | 28.6 or 38.1 |
| 5" | 123 | 127 | 144.5 | 21.5 | 28.6 or 38.1 |
| 5.5" | 133.7 | 139.7 | 155 | 21.5 | 28.6 or 38.1 |
| 6" | 146.86 | 152.5 | 166.87 | 21.5 | 28.6 or 38.1 |
| 8" | 197.66 | 203.3 | 217.67 | 21.5 | 28.6 or 38.1 |
| 10" | 247.2 | 254 | 268.47 | 21.5 | 28.6 or 38.1 |
| 12" | 298 | 304.8 | 319.27 | 21.5 | 28.6 or 38.1 |

| DIN Welding Ferrule | | | | |
|---------------------|-----|-----|-------|------|
| Size | øA | øB | øC | L |
| DN 10 | 10 | 13 | 34 | 21.5 |
| DN 15 | 16 | 19 | 34 | 21.5 |
| DN 20 | 20 | 23 | 34 | 21.5 |
| DN 25 | 26 | 29 | 50.5 | 21.5 |
| DN 32 | 32 | 35 | 50.5 | 21.5 |
| DN 40 | 38 | 41 | 50.5 | 21.5 |
| DN 50 | 50 | 53 | 64 | 21.5 |
| DN 65 | 66 | 70 | 91 | 21.5 |
| DN 80 | 81 | 85 | 106 | 21.5 |
| DN 100 | 100 | 104 | 119 | 28.6 |
| DN 125 | 125 | 129 | 155 | 28.6 |
| DN 150 | 150 | 154 | 183 | 28.6 |
| DN 200 | 200 | 204 | 233.5 | 28.6 |
| DN 250 | 250 | 254 | 268.5 | 28.6 |
| DN 300 | 300 | 306 | 319.3 | 28.6 |

NKE FLOW COMPONENTS SUPPLY SDN BHD



0.5" - 0.75" 1" - 12"



13PG

13FG

| Ferrule Gasket (EPDM, Silicon, Viton, PTFE) | | | | | |
|--|----------------------------|----------------------------|--------------------------|----------------------------|----------------------------|
| Plain Type 13 PG | | | Flange Type 13 FG | | |
| Size | ϕA | ϕB | Size | ϕA | ϕB |
| 0.5" | 9.9 | 21.8 | 1" | 22.8 | 52.7 |
| 0.75" | 16.3 | 21.8 | 1.5" | 35.8 | 52.7 |
| 1" | 22.7 | 50 | 2" | 48.8 | 66.2 |
| 1.2" | 29.5 | 50.5 | 2.5" | 60.5 | 79.7 |
| 1.5" | 35.9 | 50 | 3" | 73.1 | 93.2 |
| 2" | 48.6 | 63.5 | 4" | 97.8 | 121.2 |
| 2.5" | 61.3 | 76.2 | 6" | 148 | 169.1 |
| 3" | 74 | 88.9 | 10" | 249 | 270.7 |
| 3.5" | 84.9 | 88.9 | 12" | 300 | 321.5 |
| 4" | 98.6 | 118 | - | - | - |
| 5" | 123 | 127 | - | - | - |
| 5.5" | 133.7 | 139.7 | - | - | - |
| 6" | 146.7 | 152.4 | - | - | - |
| 6" | 147.8 | 165 | - | - | - |
| 8" | 196.6 | 216 | - | - | - |

| Ferrule Blank | | | |
|----------------------|------------|----------------------------|----------|
| 3A | DIN | ϕA | L |
| 0.5"-0.75" | - | 25 | 6 |
| - | DN10 | 34 | 6.3 |
| - | DN15 | 34 | 6.3 |
| - | DN20 | 34 | 6.3 |
| 1" | DN25 | 50.5 | 6.3 |
| 1.5" | DN32 | 50.5 | 6.3 |
| - | DN40 | 50.5 | 6.3 |
| 2" | DN50 | 64 | 6.3 |
| 2.5" | DN70 | 77.5 | 6.3 |
| 3" | DN80 | 91 | 6.3 |
| 3.5" | | 106 | 6.3 |
| 4" | DN100 | 119 | 7.9 |
| 4.5" | - | 130 | 7.9 |
| 5.5" | DN125 | 155 | 7.9 |
| 6" | - | 166.8 | 11.1 |
| - | DN150 | 183 | 11.1 |
| 8" | - | 217.7 | 11.1 |
| - | DN200 | 233.5 | 11.1 |
| 10" | - | 268.5 | 11.1 |
| 12" | - | 319.3 | 11.1 |