

SMS UNION

The **SMS Union** (Swedish Metric Standard) is comprised of a round slotted nut, a liner, a male part and a gasket.

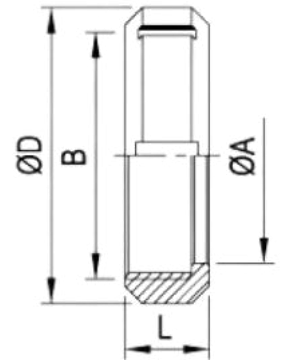
The liner and male part that come in contact with the product come in SS 304 and SS 316L, while the round nut is only available in SS 304.

Gasket Material: BUNA, EPDM, Viton, Teflon, Silicone.



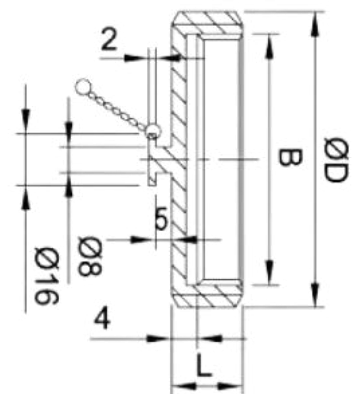
SMS Union Nut

SIZE	øA	B	øD	L
1"	32	RD40x1/6	51	19
1.5"	48	RD60x1/6	74	23
2"	60.5	RD70x1/6	84	24
2.5"	74	RD85x1/6	100	28
3"	87	RD98x1/6	114	30
4"	113	RD125x1/4	138	31
4B"	117	RD132x1/6	150	31



SMS Union Blank Nut with Chain

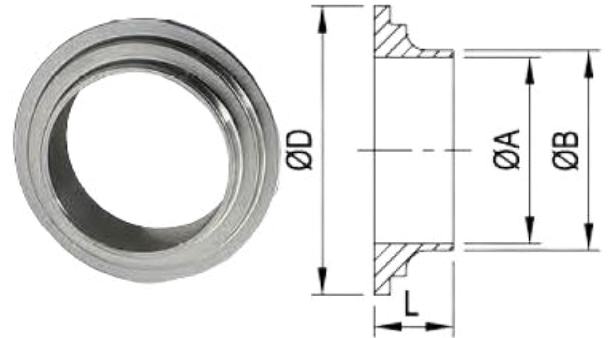
Size	B	øD	L
1"	RD40x1/6	51	19
1.5"	RD60x1/6	74	23
2"	RD70x1/6	84	24
2.5"	RD85x1/6	100	28
3"	RD98x1/6	114	30
4"	RD125x1/4	138	31
4B"	RD132x1/6	150	45



SMS UNION

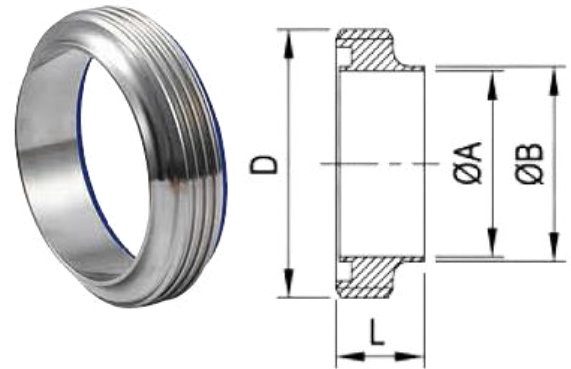
SMS Union Liner

SIZE	ϕA	ϕB	ϕD	L
1"	22.5	25.4	35.5	11
1.5"	35.5	38.1	55	16
2"	48.5	50.8	65	17
2.5"	60.5	63.5	80	17
3"	72	76.2	93	19
4"	97.6	101.6	118	19
4B"	98.5	102.5	127	19



SMS Union Male Part

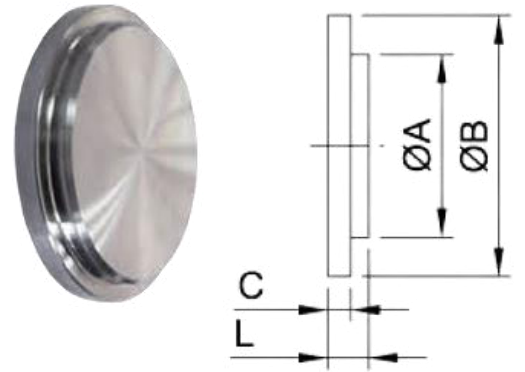
SIZE	ϕA	ϕB	ϕD	L
1"	22.5	25.4	RD40x1/6	18
1.5"	35.5	38.1	RD60x1/6	21
2"	48.5	50.8	RD70x1/6	21
2.5"	60.5	63.5	RD85x1/6	23
3"	72	76.2	RD98x1/6	23
4"	97.6	101.6	RD125x1/4	26
4B"	98.5	102.5	RD132x1/6	26



SMS UNION

SMS Union Blank

SIZE	ϕA	ϕB	ϕC	L
1"	32	35.5	3.5	7.5
1.5"	48	55	5	9
2"	60	65	5	10
2.5"	73.5	80	5	10
3"	86	93	5	11
4"	112	118	6	11
4B"	116	128	6	11



SMS Union Gasket (L Shape)

Size	ϕA	ϕB	ϕC
1"	22.8	25.1	31.8
1.5"	35.8	38.1	47.8
2"	48.8	51.1	60.8
2.5"	61	63.6	73.3
3"	73.4	76.1	85.8
4"	100.5	104	115.7
4B"	100.5	104	115.7



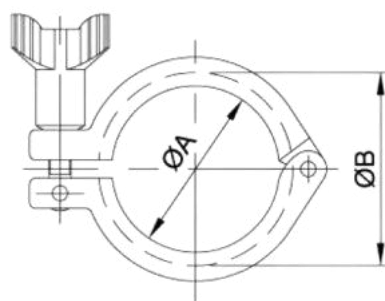
CLAMP UNION

The **Clamp Union** is comprised of a clamp ring, two ferrules, and a gasket. They come in 3A and DIN Standard.

The ferrules that come in contact with the product come in SS 304 and SS 316L, while the clamp ring is only available in SS 304.

Gasket Material: BUNA, EPDM, Viton, Teflon, Silicone.

The easiest way to identify a Clamp Union is by its **+ Shape Gasket**.



Clamp Ring (3A/SMS)

Size	ØA	ØB
0.5" - 0.75"	20.0	28.0
1" - 1.5"	44.4	53.6
2"	57.8	67
2.5"	71.4	80.6
3"	84.0	94.2
3.5"	99.0	109.2
4"	110.0	122.2
4.5"	123	133.2
6"	155.4	170.4
8"	205.0	220.0
10"	257.0	272.0
12"	308.0	323.0

Clamp Ring (DIN)

Size	ØA	ØB
DN 10	27.2	37.0
DN 15	44.5	37.0
DN 20	57	37.0
DN 25	44.4	53.6
DN 32	44.4	53.6
DN 40	44.4	53.6
DN 50	57.8	67.0
DN 65	84	94.2
DN 80	99	109.0
DN 100	110	122.2
DN 125	144	159.0
DN 150	172	187.0
DN 200	222.5	237.0
DN 250	257.0	272.0
DN 300	308.0	323.0

CLAMP UNION

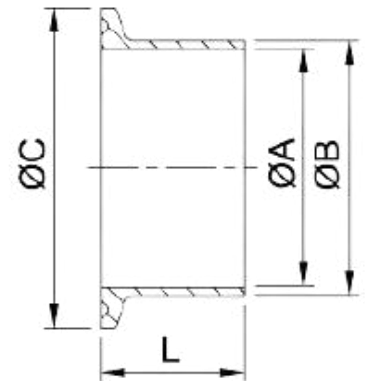
Ferrule (3A/SMS)

SIZE	øA	øB	øC	L(Short)	L (Long)
0.5"	9.4	12.7	25	12.7	28.6
0.75"	15.75	19.05	25	12.7	28.6
1"	22.1	25.4	50.5	12.7	28.6
1.25	28.4	31.75	50.5	12.7	28.6
1.5"	34.8	38.1	50.5	12.7	28.6
2"	47.5	50.8	64	12.7	28.6
2.5"	60.2	63.5	77.5	12.7	28.6
3"	72.9	76.1	91	12.7	28.6
3.5"	84.9	88.9	106	15.9	28.6
4"	97.4	101.6	119	15.9	28.6
4.5	110.3	114.3	130	21.5	28.6 or 38.1
5"	123	127	144.5	21.5	28.6 or 38.1
5.5"	133.7	139.7	155	21.5	28.6 or 38.1
6"	146.86	152.5	166.87	21.5	28.6 or 38.1
8"	197.66	203.3	217.67	21.5	28.6 or 38.1
10"	247.2	254	268.47	21.5	28.6 or 38.1
12"	298	304.8	319.27	21.5	28.6 or 38.1



Ferrule (DIN)

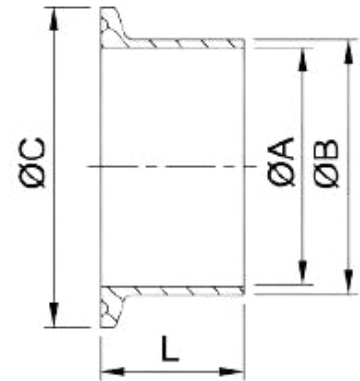
SIZE	øA	øB	øC	L
DN 10	10	13	34	12.7 / 21.5
DN 15	16	19	34	12.7 / 21.5
DN 20	20	23	34	12.7 / 21.5
DN 25	26	29	50.5	12.7 / 21.5
DN 32	32	35	50.5	12.7 / 21.5
DN 40	38	41	50.5	12.7 / 21.5
DN 50	50	53	64	12.7 / 21.5
DN 65	66	70	91	12.7 / 21.5
DN 80	81	85	106	12.7 / 21.5
DN 100	100	104	119	12.7 / 28.6
DN 125	125	129	155	12.7 / 28.6
DN 150	150	154	183	12.7 / 28.6
DN 200	200	204	233.5	12.7 / 28.6
DN 250	250	254	268.5	12.7 / 28.6
DN 300	300	306	319.3	12.7 / 28.6



CLAMP UNION

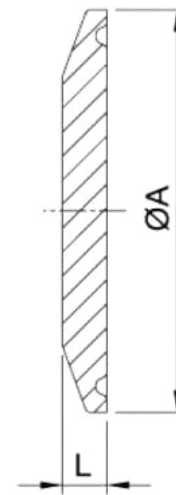
Ferrule (ISO)

Size	øA	øB	øC	L
DN 25	30.5	33.7	50.5	28.6
DN 40	45.1	48.3	64	28.6
DN 50	56.3	60.3	77.5	28.6
DN 65	72.1	76.1	91	28.6
DN 80	84.3	88.9	106	28.6
DN 100	109.7	114.3	130	28.6



Ferrule Blank

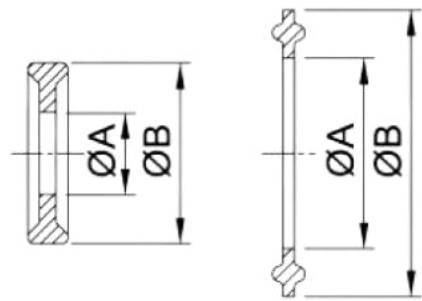
3A	DIN	øA	L
0.5" 0.75"	-	25	6
-	DN10	34	6.3
-	DN15	34	6.3
-	DN20	34	6.3
1"	DN25	50.5	6.3
1.25"	DN32	50.5	6.3
1.5"	DN40	50.5	6.3
2"	DN50	64	6.3
2.5"	-	77.5	6.3
3"	DN65	91	6.3
3.5"	DN80	106	6.3
4"	DN100	119	7.9
4.5"	-	130	7.9
5"	-	144.5	10.0
5.5"	DN125	155	7.9
6"	-	166.8	11.1
-	DN150	183	11.1
8"	-	217.7	11.1
-	DN200	233.5	11.1
10"	DN250	268.5	11.1
12"	DN300	319.3	11.1



CLAMP UNION

Ferrule Gasket (Plain Type 13PG)

SIZE	ϕA	ϕB
0.5"	9.9	21.8
0.75"	16.3	21.8
1"	22.1	50.5
1.25"	28.4	50.5
1.5"	34.8	50.5
2"	47.5	64
2.5"	60.2	77.5
3"	72.9	91
3.5"	84.9	106
4"	97.4	119
4.5"	110.3	130
5"	123	144.5
5.5"	133.7	155
6"	146.86	166.87
8"	197.66	217.67
10"	247.2	268.47
12"	298	319.27



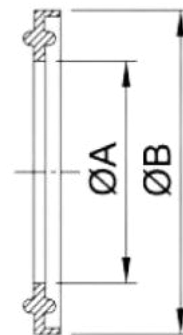
0.5" - 0.75"

1" - 12"

13PG

Ferrule Gasket (Flange Type 13FG)

SIZE	ϕA	ϕB
1"	22.1	52.7
1.5"	34.8	52.7
2"	47.5	66.2
2.5"	60.2	79.7
3"	72.9	93.2
4"	97.4	121.2
6"	146.86	169.1
10"	247.2	270.7
12"	298	321.5

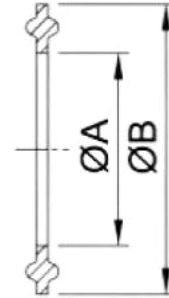


13FG

CLAMP UNION

DIN Ferrule Gasket (Plain Type 13PG)

SIZE	ϕA	ϕB
DN 10	10	34
DN 15	16	34
DN 20	20	34
DN 25	26	50.5
DN 32	32	50.5
DN 40	38	50.5
DN 50	50	64
DN 65	66	91
DN 80	81	106
DN 100	100	119
DN 125	125	155
DN 150	150	183
DN 200	200	233.5
DN 250	250	268.5
DN 300	300	319.3



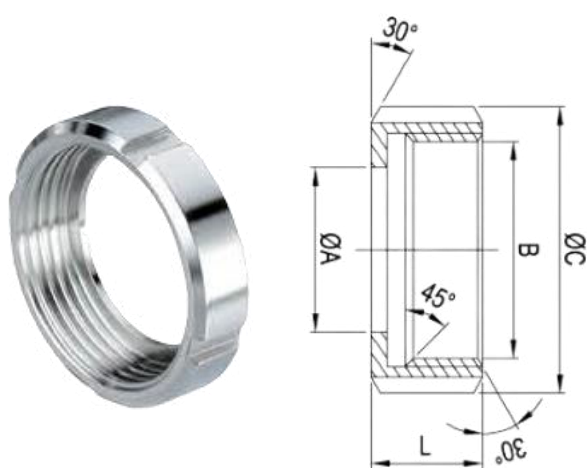
13PG

DIN UNION

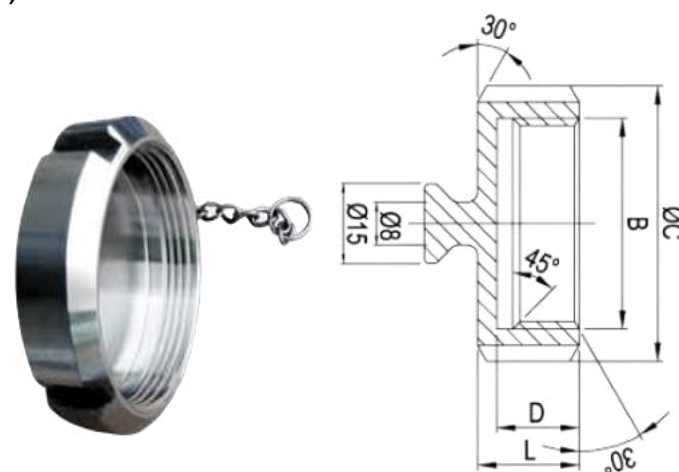
The **DIN Union** (Deutsches Institut für Normung / German Institute for Standardization) is comprised of a round slotted nut, a liner, a male part, and a gasket.

The male part and liner that come in contact with the product come in SS 304 and SS 316L, while the round nut is only available in SS 304.

Gasket Material: BUNA, EPDM, Viton, Teflon, Silicone.



DIN Union Nut



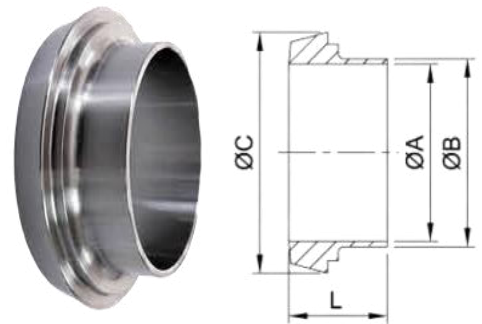
DIN Union Blank Nut with Chain

SIZE	ϕA	B	ϕC	D	L	Slots
DN10	19	RD28x1/8	38	15	18	4
DN15	25	RD34x1/8	44	15	18	4
DN20	31	RD44x1/6	54	17	21	4
DN25	36	RD52x1/6	63	18	21	4
DN32	42	RD58x1/6	70	18	21	4
DN40	49	RD65x1/6	78	18	21	4
DN50	62	RD78x1/6	92	19	22	4
DN65	80	RD95x1/6	112	21	25	6
DN80	94	RD110x1/4	127	25	30	6
DN100	115	RD130x1/4	148	26	31	6
DN125	138	RD160x1/4	178	30	35	6
DN150	164	RD190x1/4	210	34	40	6

DIN UNION

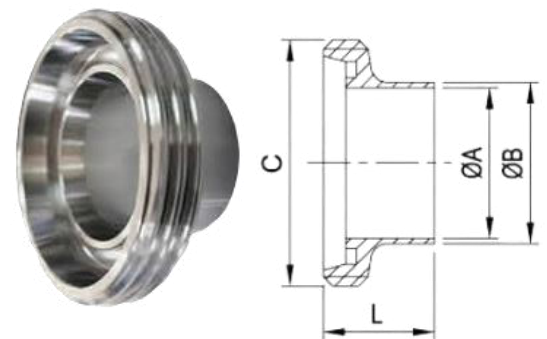
DIN Union Liner

DIN/SMS	øA	øB	øC	L
10	10	13	22.5	17
15	16	19	28.5	17
20	20	23	36.5	18
25 / 1"	26 / 22.4	29 / 25.4	44	22
32	32	35	50	25
40 / 1.5"	38 / 35.1	41 / 38.1	56	26
50 / 2"	50 / 47.8	53 / 50.8	68.5	28
65 / 2.5"	66 / 60.5	70 / 63.5	86	32
80 / 3"	81 / 73.2	85 / 76.2	100	37
100 / 4"	100 / 97.6	104 / 101.6	121	44
125	125	129	150	34
150	150	154	176	37



DIN Union Male Part

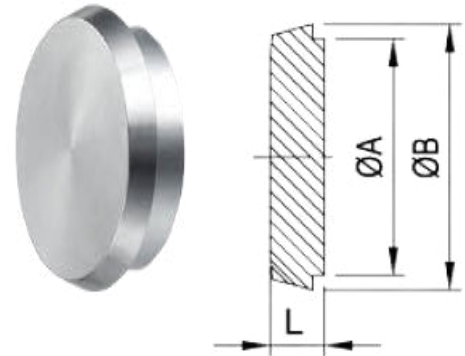
DIN/SMS	øA	øB	øC	L
10	10	13	RD28x1/8	21
15	16	19	RD34x1/8	21
20	20	23	RD44x1/6	24
25 / 1"	26 / 22.4	29 / 25.4	RD52x1/6	29
32	32	35	RD58x1/6	32
40 / 1.5"	38 / 35.1	41 / 38.1	RD65x1/6	33
50 / 2"	50 / 47.8	53 / 50.8	RD78x1/6	35
65 / 2.5"	66 / 60.5	70 / 63.5	RD95x1/6	40
80 / 3"	81 / 73.5	85 / 76.2	RD110x1/4	45
100 / 4"	100 / 97.6	104 / 101.6	RD130x1/4	54
125	125	129	RD160x1/4	46
150	150	154	RD190x1/4	50



DIN UNION

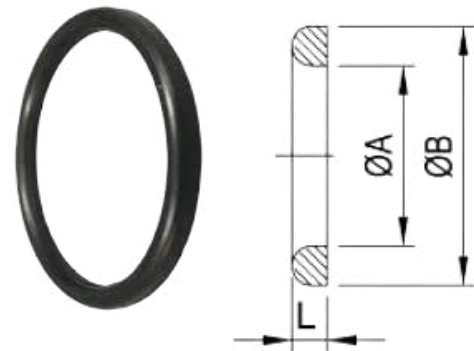
DIN Union Blank

Size	ϕA	ϕB	L
10	18	22	9
15	24	28	9
20	30	36	11
25	35	44	13
32	41	50	13
40	48	56	13
50	61	68	14
65	79	86	16
80	93	100	16
100	114	121	20
125	137	150	22
150	163	176	24



DIN Union Gasket (D shape)

Size	ϕA	ϕB	L
10	12	20	4.5
15	18	26	4.5
20	23	33	4.5
25	30	40	5
32	36	46	5
40	42	52	5
50	54	64	5
65	71	81	5
80	85	95	5
100	104	114	5
125	130	142	7
150	155	167	7

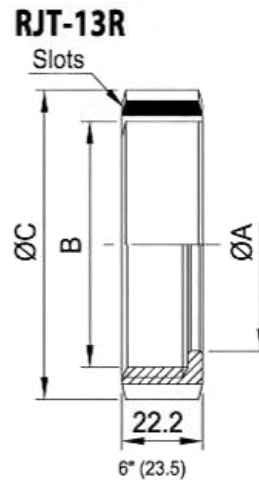


RJT UNION

The **RJT Union** (Ring Joint Type) is comprised of a round slotted nut, a liner, a male part, and a gasket.

The male part and liner that come in contact with the product come in SS 304 and SS 316L, while the round nut is only available in SS 304.

Gasket Material: BUNA, EPDM, Viton, Teflon, Silicone.



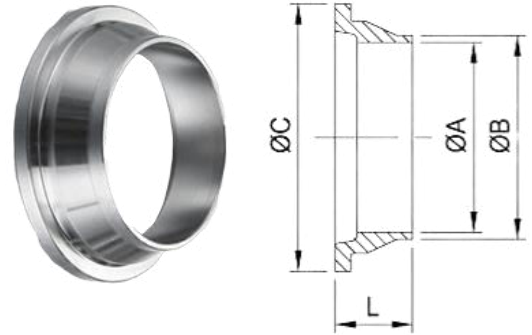
RJT Union Nut

SIZE	ØA	B	ØC	L	L1	Slots
0.5"	14.5	19.6x10 TPI WHIT	-	16	-	-
0.75"	21	26.2x10 TPI WHIT	-	16	-	-
1"	33.45	42.266x8 TPI WHIT	58.5	22.2	23.5	4
1.5"	46	54.966x8 TPI WHIT	74	22.2	23.5	4
2"	58.67	67.92x6 TPI WHIT	85.5	22.2	23.2	6
2.5"	71.4	80.62x6 TPI WHIT	98.5	22.2	23.5	6
3"	84.1	93.32x6 TI WHIT	111.6	22.2	23.5	8
4"	109.7	118.72x6 TPI WHIT	138	22.2	23.5	8
6"	163	169.52x6 TPI WHIT	197	24	-	10

RJT UNION

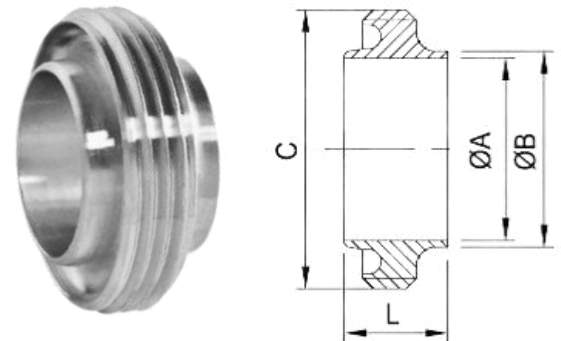
RJT Union Liner

SIZE	ØA	ØB	ØC	L
0.5"	9.6	14	18	11.4
0.75"	16	20	23.1	11.4
1"	22.2	25.4	41.3	19.5
1.5"	34.8	38.1	54	19.5
2"	47.5	50.8	66.7	19.5
2.5"	60.2	63.5	79.4	19.5
3"	72.9	76.2	92.1	19.5
4"	97.6	101.6	117.5	19.5
6"	148	152.4	169.1	23.5



RJT Union Male Part

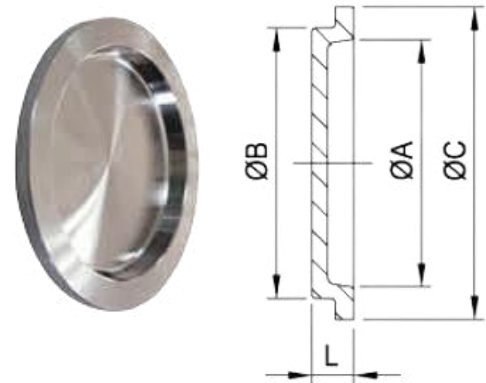
SIZE	ØA	ØB	ØC	L
0.5"	9.6	13.7	21.2x10T WHIT	16.5
0.75"	16	20	27.6x10T WHIT	16.5
1"	22.1	25.4	45.72x8T WHIT	27
1.5"	34.8	38.1	58.42x8T WHIT	27
2"	47.5	50.8	72.72x6T WHIT	27
2.5"	60.2	63.5	85.42x6T WHIT	27
3"	72.9	76.2	98.12x6T WHIT	27
4"	97.6	101.6	123.52x6T WHIT	27
6"	100	104	123.52x6T WHIT	27



RJT UNION

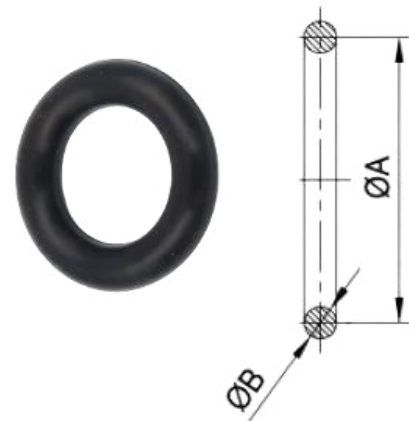
RJT Union Blank

SIZE	ϕA	ϕB	ϕC	L
1"	37.8	32.5	41.3	9
1.5"	40.5	45.2	54	9
2"	53.2	57.9	66.7	9
2.5"	65.9	70.6	79.4	9
3"	78.2	83.3	92.1	9
4"	104	108.7	117.5	9
104	104	108.7	117.5	9



RJT Union Gasket

Size	ϕA	ϕB	ϕC
1"	33.3	6.6	3.2
1.5"	46	6.6	3.2
2"	58.7	6.6	3.2
2.5"	71.4	6.6	3.2
3"	84.1	6.6	3.2
4"	109.5	6.6	3.2
6"	162.6	6.6	3.2

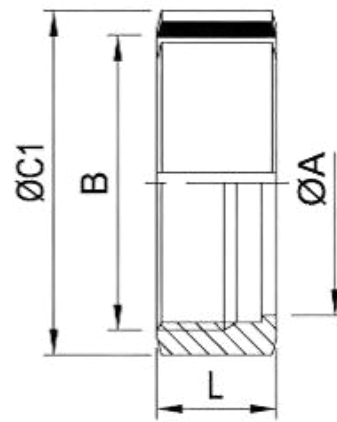


IDF UNION

The **IDF Union** (International Dairy Federation) is comprised of a round slotted nut, a liner, a male part, and a gasket.

The male part and liner that come in contact with the product come in SS 304 and SS 316L, while the round nut is only available in SS 304.

Gasket Material: BUNA, EPDM, Viton, Teflon, Silicone.



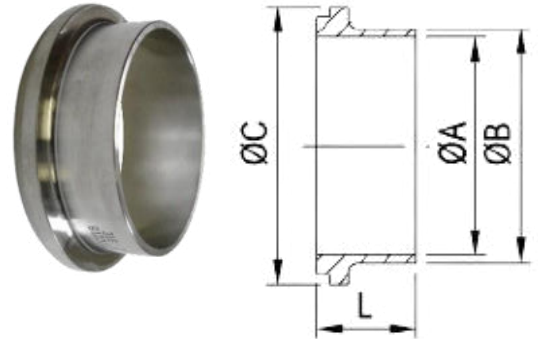
IDF Union Nut

SIZE	ØA	B	ØC	ØC1	L
1"	30.5	34.34x8T ACME	46	48	30
1.5"	43.5	47.86x8T ACME	60	64	30
2"	57	61.37x8T ACME	75	77	30
2.5"	70.7	74.88x8T ACME	90	91	30
R 3"	83.3	88.4x8T ACME	106	106	30
H 3"	83.3	88.4x8T ACME	105	105	30
R 4"	112	115.41x8T ACME	135	135	34.9
H 4"	112	122.05x6T ACME	133	133	34.9

IDF UNION

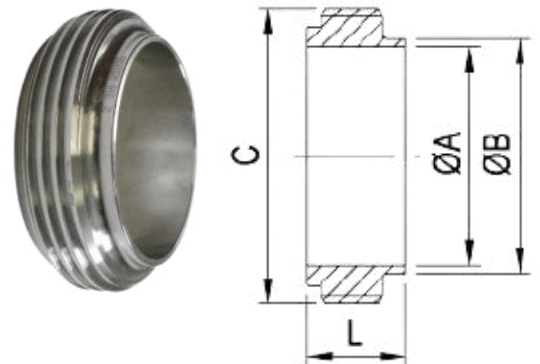
IDF Union Liner

SIZE	ϕA	ϕB	ϕC	L
1"	22.6	25.6	33.8	21.5
1.5"	35.6	38.6	47	21.5
2"	48.6	51.6	60.5	21.5
2.5"	60.3	61.1	74	21.5
3"	72.9	76.7	87.5	21.5
R 4"	97.6	101.6	120.6	30
H 4"	97.6	102.5	114.1	21.5



IDF Union Male Part

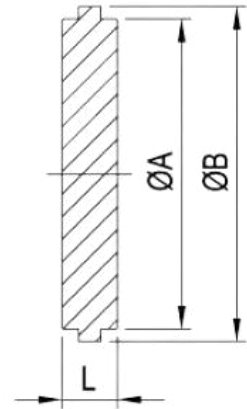
SIZE	ϕA	ϕB	ϕC	L
1"	22.1	25.4	37.13x8T ACME	21.5
1.5"	34.8	38	50.65x8T ACME	21.5
2"	47.5	51	64.16x8T ACME	21.5
2.5"	60.2	63.5	77.76x8T ACME	21.5
3"	72.9	76.2	91.19x8T ACME	21.5
R 4"	97.6	101.6	118.2x8T ACME	30
H 4"	97.6	102.5	125.9x6T ACME	21.5



IDF UNION

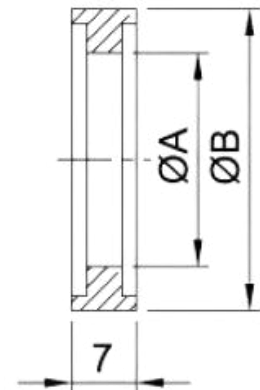
IDF Union Blanks

Size	ϕA	ϕB	L
1"	29.2	33.8	10.5
1.5"	42.7	47	10.5
2"	56.2	60.5	10.5
2.5"	69.9	74	10.5
3"	82.6	87.5	10.5
R 4"	111.1	114.1	12.6
H 4"	111.1	120.6	12.6



IDF Union Gasket

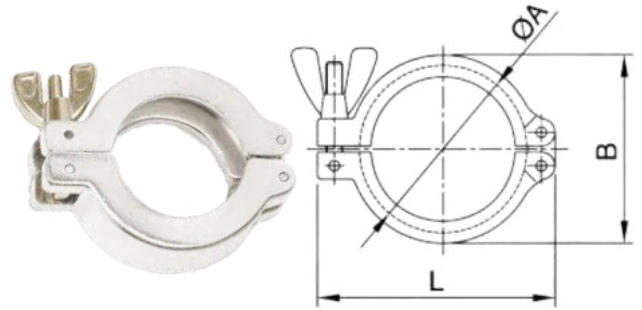
SIZE	ϕA	ϕB
1"	23	32.5
1.5"	36	46
2"	49	59.5
2.5"	60.7	73.2
3"	73.2	86.5
4"	98	113
6"	98	119.6



KF VACUUM UNION

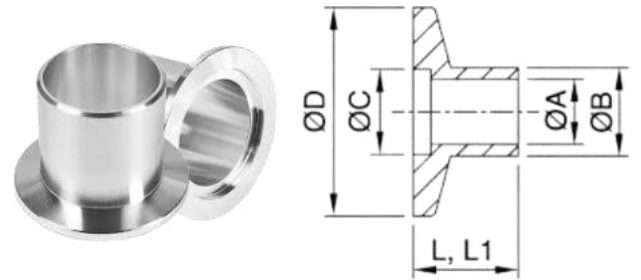
KF Union Aluminum Clamp Ring

Size	ϕA	ϕB	L
KF10/16	35	45	62
KF25	45	55	73
KF40	60	70	86.1
KF50	80	96	123



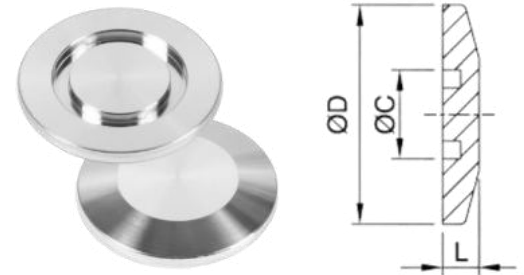
KF Union Flange

Size	ϕA	ϕB	ϕC	ϕD	L
KF10	9.4 (10)	12.7 (14)	12.2	30	12.7 or 30
KF16	15.7 (16)	19.06 (20)	17.3	30	
KF25	22.1 (25)	25.4 (28)	26.2	40	
KF40	33.8 (40)	38.1 (44.5)	41.1	55	
KF50	46.5 (50)	50.8 (54)	52.3	75	



KF Union Blank

Size	ϕC	ϕD	L
KF10	12.2	30	5.1
KF16	17.3	30	5.1
KF25	26.2	40	5.1
KF40	41.1	55	5.1
KF50	52.3	75	5.1



KF Union Centering Ring with Seal

SIZE	ϕA	ϕB	C	D
KF10	10	12	8	3.9
KF16	16	17	8	3.9
KF25	25	26	8	3.9
KF40	40	41	8	3.9
KF50	50	52	8	3.9

