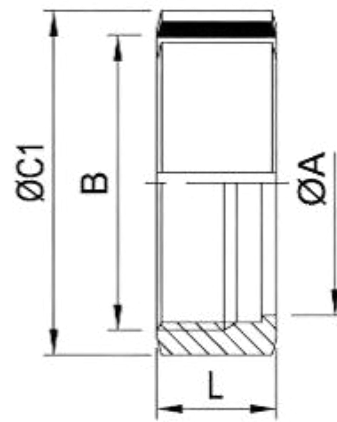


IDF UNION

The **IDF Union** (International Dairy Federation) is comprised of a round slotted nut, a liner, a male part, and a gasket.

The male part and liner that come in contact with the product come in SS 304 and SS 316L, while the round nut is only available in SS 304.

Gasket Material: BUNA, EPDM, Viton, Teflon, Silicone.



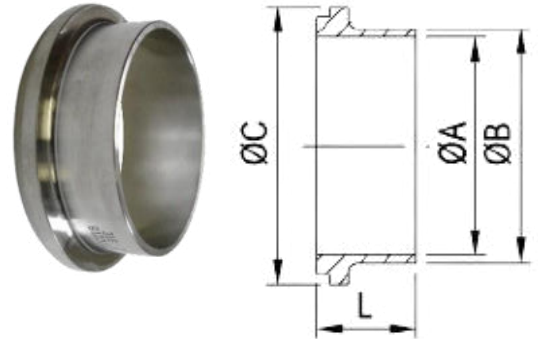
IDF Union Nut

SIZE	ØA	B	ØC	ØC1	L
1"	30.5	34.34x8T ACME	46	48	30
1.5"	43.5	47.86x8T ACME	60	64	30
2"	57	61.37x8T ACME	75	77	30
2.5"	70.7	74.88x8T ACME	90	91	30
R 3"	83.3	88.4x8T ACME	106	106	30
H 3"	83.3	88.4x8T ACME	105	105	30
R 4"	112	115.41x8T ACME	135	135	34.9
H 4"	112	122.05x6T ACME	133	133	34.9

IDF UNION

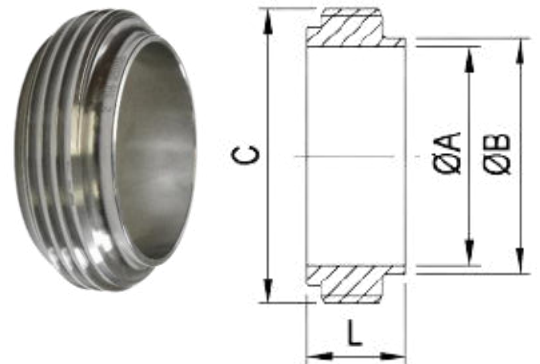
IDF Union Liner

SIZE	ϕA	ϕB	ϕC	L
1"	22.6	25.6	33.8	21.5
1.5"	35.6	38.6	47	21.5
2"	48.6	51.6	60.5	21.5
2.5"	60.3	61.1	74	21.5
3"	72.9	76.7	87.5	21.5
R 4"	97.6	101.6	120.6	30
H 4"	97.6	102.5	114.1	21.5



IDF Union Male Part

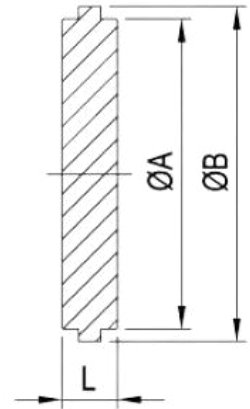
SIZE	ϕA	ϕB	ϕC	L
1"	22.1	25.4	37.13x8T ACME	21.5
1.5"	34.8	38	50.65x8T ACME	21.5
2"	47.5	51	64.16x8T ACME	21.5
2.5"	60.2	63.5	77.76x8T ACME	21.5
3"	72.9	76.2	91.19x8T ACME	21.5
R 4"	97.6	101.6	118.2x8T ACME	30
H 4"	97.6	102.5	125.9x6T ACME	21.5



IDF UNION

IDF Union Blanks

Size	ϕA	ϕB	L
1"	29.2	33.8	10.5
1.5"	42.7	47	10.5
2"	56.2	60.5	10.5
2.5"	69.9	74	10.5
3"	82.6	87.5	10.5
R 4"	111.1	114.1	12.6
H 4"	111.1	120.6	12.6



IDF Union Gasket

SIZE	ϕA	ϕB
1"	23	32.5
1.5"	36	46
2"	49	59.5
2.5"	60.7	73.2
3"	73.2	86.5
4"	98	113
6"	98	119.6

