

SANITARY CLEANING SPRAY BALL

Application- Provides an easy means of rinsing tanks.

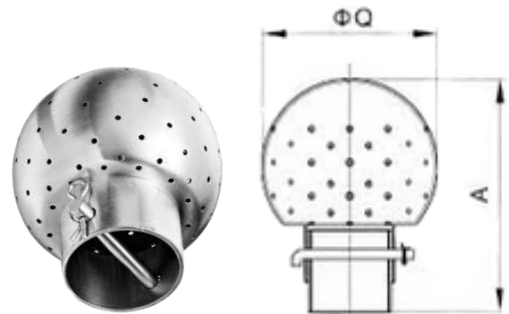
Size Availability- 1" to 2.5"

Material Availability- Body in SS 304 and SS 316L

Connection Availability- Bolted End, BSP End, Ferrule End

Bolted Static Spray Ball

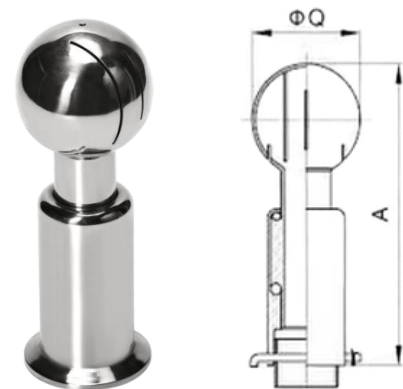
Size	A	Q
1"	95	63
2"	125	91



Size	Pressure (bar)	Cleaning Radius (M)	Flow Rate (m3/h)
1"	0.5 – 2	1 – 1.25	5.5 – 11
2"	0.5 - 2	2 – 3	16 – 31

Bolted Rotary Spray Ball

Size	A	Q
0.75"	62	25
1"	135	53
2"	168	63



Size	Pressure (bar)	Wetting Radius (m)	Cleaning Radius (M)	Flow Rate (m3/h)
0.75"	1 - 3	2.2 – 2.8	0.6 – 1	1.8 – 3.6
1"	1 - 3	2.8 – 2.9	1.3	4.2 – 7.1
2"	1 - 3	2.7 – 3	1.8 – 2.1	11.2 – 18.5