

DIN Union

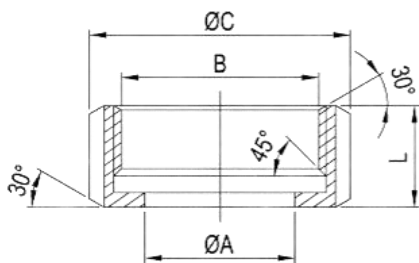
The DIN (Deutsches Institut für Normung / German Institute for Standardization) Union is comprised of a round slotted nut, male part, a liner, and a gasket.

The male part and liner that comes in contact with the product come in SS 304 and SS 316L while the round nut is SS 304.

The gaskets comes in Teflon, BUNA, EPDM, Silicone, and Viton.



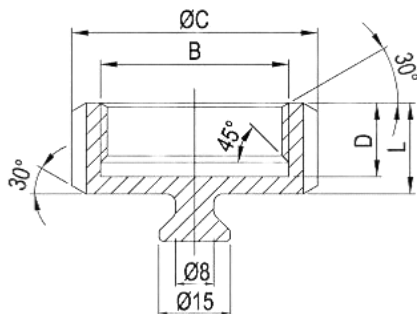
DIN-13R

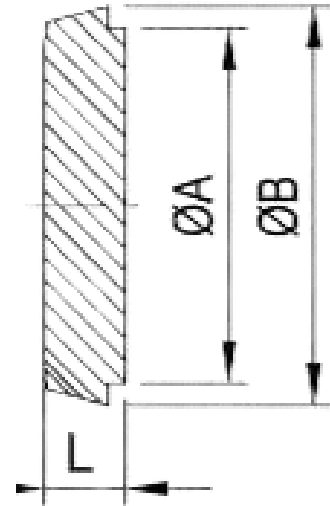
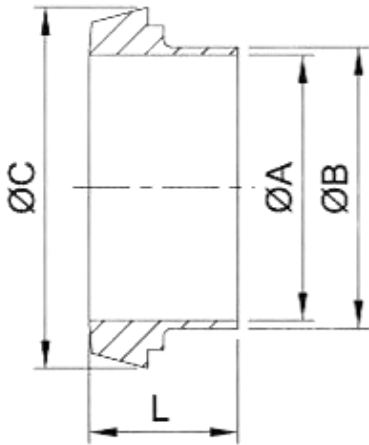


DIN-13 Round Nut

| DIN | øA | B | øC | D | L | Slots |
|-----|-----|-----------|-----|----|----|-------|
| 10 | 19 | RD28x1/8 | 38 | 15 | 18 | 4 |
| 15 | 25 | RD34x1/8 | 44 | 15 | 18 | 4 |
| 20 | 31 | RD44x1/6 | 54 | 17 | 21 | 4 |
| 25 | 36 | RD52x1/6 | 63 | 18 | 21 | 4 |
| 32 | 42 | RD58x1/6 | 70 | 18 | 21 | 4 |
| 40 | 49 | RD65x1/6 | 78 | 18 | 21 | 4 |
| 50 | 62 | RD78x1/6 | 92 | 19 | 22 | 4 |
| 65 | 80 | RD95x1/6 | 112 | 21 | 25 | 6 |
| 80 | 94 | RD110x1/4 | 127 | 25 | 30 | 6 |
| 100 | 115 | RD130x1/4 | 148 | 26 | 31 | 6 |
| 125 | 138 | RD160x1/4 | 178 | 30 | 35 | 6 |
| 150 | 164 | RD190x1/4 | 210 | 34 | 40 | 6 |

DIN-13RBN

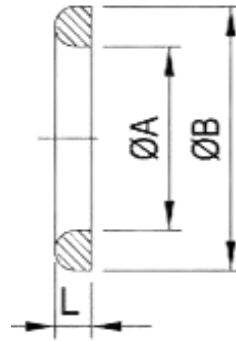
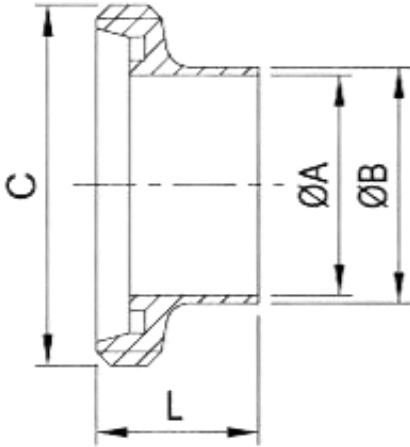




| Size DIN / SMS | DIN Welding Liner | | | |
|-------------------|-------------------|-------------|------|----|
| | ØA | ØB | ØC | L |
| 10 | 10 | 13 | 22.5 | 17 |
| 15 | 16 | 19 | 28.5 | 17 |
| 20 | 20 | 23 | 36.5 | 18 |
| 25 / 1" | 26 / 22.4 | 29 / 25.4 | 44 | 22 |
| 32 | 32 | 35 | 50 | 25 |
| 40 / 1.5" | 38 / 35.1 | 41 / 38.1 | 56 | 26 |
| 50 / 2" | 50 / 47.8 | 53 / 50.8 | 68.5 | 28 |
| 65 / 2.5" | 66 / 60.5 | 70 / 63.5 | 86 | 32 |
| 80 / 3" | 81 / 73.2 | 85 / 76.2 | 100 | 37 |
| 100 / 4" | 100 / 97.6 | 104 / 101.6 | 121 | 44 |
| 125 | 125 | 129 | 150 | 34 |
| 150 | 150 | 154 | 176 | 37 |

| DIN-14B Blank | | | |
|---------------|-----|-----|----|
| Size | ØA | ØB | L |
| 10 | 18 | 22 | 9 |
| 15 | 24 | 28 | 9 |
| 20 | 30 | 36 | 11 |
| 25 | 35 | 44 | 13 |
| 32 | 41 | 50 | 13 |
| 40 | 48 | 56 | 13 |
| 50 | 61 | 68 | 14 |
| 65 | 79 | 86 | 16 |
| 80 | 93 | 100 | 16 |
| 100 | 114 | 121 | 20 |
| 125 | 137 | 150 | 22 |
| 150 | 163 | 176 | 24 |

NKE FLOW COMPONENTS SUPPLY SDN BHD



| Size DIN / SMS | DIN Welding Male Part | | | |
|----------------------|-----------------------|-------------|-----------|----|
| | ØA | ØB | C | L |
| 10 | 10 | 13 | RD28x1/8 | 21 |
| 15 | 16 | 19 | RD34x1/8 | 21 |
| 20 | 20 | 23 | RD44x1/6 | 24 |
| 25 / 1" | 26 / 22.4 | 29 / 25.4 | RD52x1/6 | 29 |
| 32 | 32 | 35 | RD58x1/6 | 32 |
| 40 / 1.5" | 38 / 35.1 | 41 / 38.1 | RD65x1/6 | 33 |
| 50 / 2" | 50 / 47.8 | 53 / 50.8 | RD78x1/6 | 35 |
| 65 / 2.5" | 66 / 60.5 | 70 / 63.5 | RD95x1/6 | 40 |
| 80 / 3" | 81 / 73.5 | 85 / 76.2 | RD110x1/4 | 45 |
| 100 / 4" | 100 / 97.6 | 104 / 101.6 | RD130x1/4 | 54 |
| 125 | 125 | 129 | RD160x1/4 | 46 |
| 150 | 150 | 154 | RD190x1/4 | 50 |

| DIN Seal Ring D Shape (EPDM, Silicon, Viton) | | | |
|---|-----|-----|-----|
| Size | ØA | ØB | L |
| 10 | 12 | 20 | 4.5 |
| 15 | 18 | 26 | 4.5 |
| 20 | 23 | 33 | 4.5 |
| 25 | 30 | 40 | 5 |
| 32 | 36 | 46 | 5 |
| 40 | 42 | 52 | 5 |
| 50 | 54 | 64 | 5 |
| 65 | 71 | 81 | 5 |
| 80 | 85 | 95 | 5 |
| 100 | 104 | 114 | 5 |
| 125 | 130 | 142 | 7 |
| 150 | 155 | 167 | 7 |