

# TEE

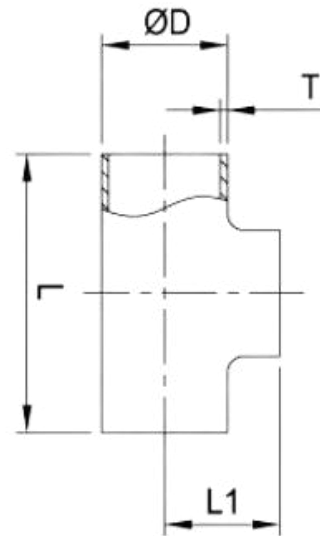
## Equal Tee

SIZE	øD	L	L1	T
0.5"	12.7	38.1	19.05	1.65
0.75"	19.05	57.2	28.6	1.65
1"	25.4	57.2	28.6	1.65
1.5"	38.1	84.2	42.1	1.65
2"	50.8	104.8	52.4	1.65
2.5"	63.5	119.0	59.5	1.65
3"	76.2	131.8	65.9	1.65
4"	101.6	174.6	87.3	2.1



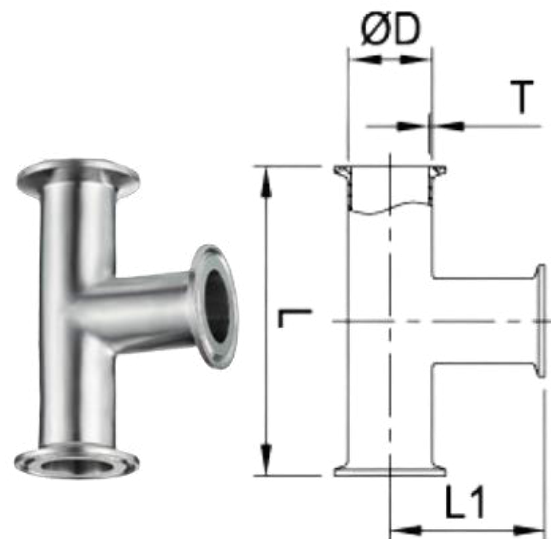
## Long Equal Tee

SIZE	øD	L	L1	T
0.5"	12.7	95.2	47.6	1.65
0.75"	19.05	95.2	47.6	1.65
1"	25.4	95.2	47.6	1.65
1.5"	38.1	114.4	57.2	1.65
2"	50.8	152.4	76.2	1.65
2.5"	63.5	152.4	76.2	1.65
3"	76.2	165.2	82.6	1.65
4"	101.6	196.8	98.4	2.1



## Equal Tee with Ferrule Ends

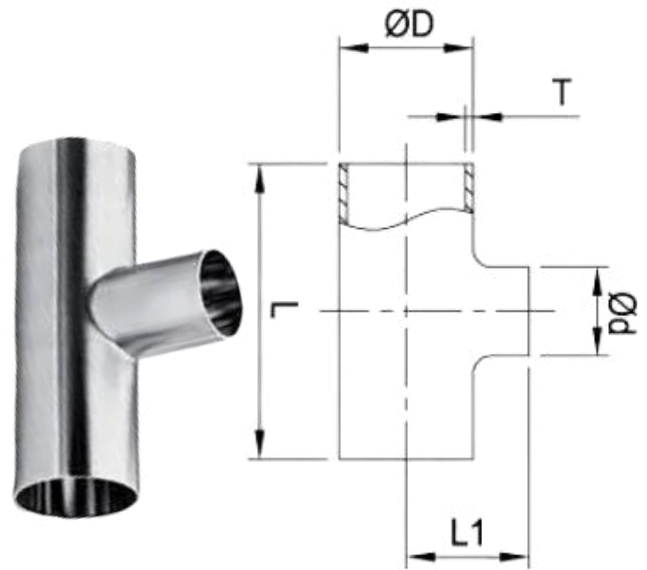
SIZE	øD	L	L1	T
0.5"	12.7	63.5	31.75	1.65
0.75"	19.05	120.6	60.3	1.65
1"	25.4	120.6	60.3	1.65
1.5"	38.1	139.8	69.9	1.65
2"	50.8	177.8	88.9	1.65
2.5"	63.5	177.8	88.9	1.65
3"	76.2	190.6	95.3	1.65
4"	101.6	228.4	114.2	2.1



# TEE

## Reducing Tee

Size	øD	ød	L	L1	T
1.5"x1"	38.1	25.4	84.2	34.9	1.65
2"x1"	50.8	25.4	104.8	41.3	1.65
2"x1.5"	50.8	38.1	104.8	48.4	1.65
2.5"x1"	63.5	25.4	119	47.63	1.65
2.5"x1.5"	63.5	38.1	119	54.75	1.65
2.5"x2"	63.5	50.8	119	58.7	1.65
3"x1"	76.2	25.4	131.8	54	1.65
3"x1.5"	76.2	38.1	131.8	65.1	1.65
3"x2"	76.2	50.8	131.8	65.1	1.65
3"x2.5"	76.2	63.5	131.8	65.9	2
4"x1"	101.6	25.4	174.6	66.7	2
4"x1.5"	101.6	38.1	174.6	108.0	2
4"x2"	101.6	50.8	174.6	108.0	2
4"x2.5"	101.6	63.5	174.6	108.0	2
4"x3"	101.6	76.2	174.6	108.0	2



## DIN Equal Tee

SIZE	øD	L	L1	T
DN 10	13	54	26	1.5
DN 15	19	70	35	1.5
DN 20	23	94	47	1.5
DN 25	29	100	50	1.5
DN 32	35	110	55	1.5
DN 40	41	120	60	1.5
DN 50	53	140	70	1.5
DN 65	70	160	80	2
DN 80	85	180	90	2
DN 100	104	200	100	2
DN 125	129	375	187.5	2
DN 150	154	450	225	2
DN 200	204	600	300	2
DN 250	254	750	375	2
DN 300	306	750	375	3

