

BUTTERFLY VALVE



Method of Operation-

Turning the handle turns the disc either parallel or perpendicular or anywhere in between to control the flow.

Can be equipped with an Actuator to be controlled by air, spring, or electric.

Size Availability- 0.5" to 4", DN25 to DN100

Material Availability- Body in SS 304 and SS 316L, Gaskets in EPDM, Silicone, or BUNA

Connection Availability- Weld Ends, Ferrule Ends, other Sanitary Union connections

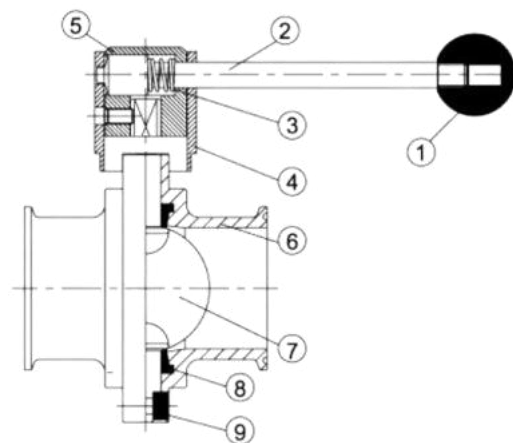
Pressure Rating- Up to 9.5 bar, decreases along with size

Torque Required for Full Open and Close-

1"	1.5"	2"	2.5"	3"	4"	6"
9.8Nm	9.8Nm	13Nm	15Nm	20Nm	30Nm	70Nm

Components List:

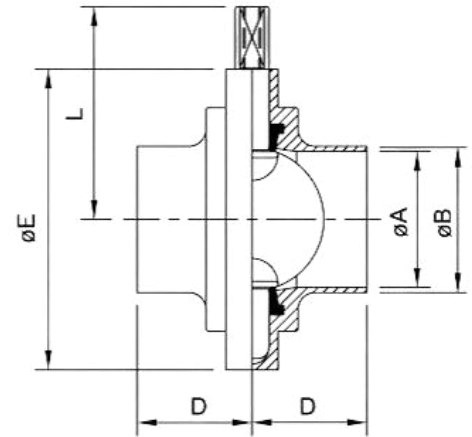
No.	Name
1	Knob
2	Steel Bar
3	Spring ST.ST
4	ST.ST
5	Holder
6	Body
7	Disc
8	EPDM Rubber Seat
9	Screw Bolt



BUTTERFLY VALVE

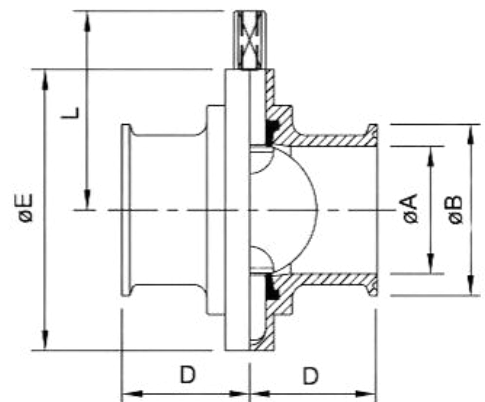
Butterfly Valve with Weld Ends

Size	ϕA	ϕB	D	ϕE	L
0.5"	9.5	12.7	23	79	49.5
0.75	15.8	19.50	23	79	49.5
1"	22.1	25.4	23.5	79	49.5
1.5"	34.8	38.1	23.5	85	52.5
2"	47.5	50.8	26	100	60
2.5"	60.2	63.5	27	115	67.5
3"	72.2	76.2	28	127	73.5
4"	97.6	101.6	30	156	88
6"	146.8	152.4	40.5	215	142



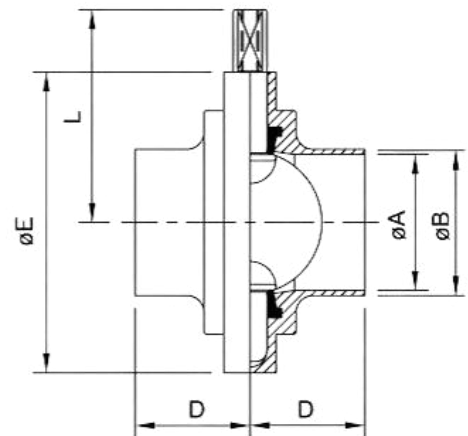
Butterfly Valve with Ferrule Ends

Size	ϕA	ϕB	D	ϕE	L
0.5"	9.5	25.2	35	79	49.5
0.75	15.8	25.2	35	79	49.5
1"	22.1	50.5	35	79	49.5
1.5"	34.8	50.5	35	85	52.5
2"	47.5	64.0	37	100	60
2.5"	60.2	77.5	38	115	67.5
3"	72.2	91.0	39	127	73.5
4"	97.6	119.0	45	156	88
6"	146.8	166.8	62.2	215	142



DIN Butterfly Valve with Weld Ends

Size	ϕA	ϕB	D	ϕE	L
DN25	26	29	23.5	79	49.5
DN32	32	35	23.5	82	48.5
DN40	38	41	25	92	52.5
DN50	50	53	26	106	63.5
DN65	66	70	28	127	71.5
DN80	81	85	29	140	78.5
DN100	100	104	30	156	87.5



BUTTERFLY VALVE ACTUATOR



**Without Solenoid Valve
and Limit Switch**



**With Solenoid Valve
and Limit Switch**

Operation Instructions:

- 1) Signal Transfer:
 - a) 10-30VDC proximity switch 1 or 2pcs (PNP or NPN),
 - b) or 3A 125 VAC, 30 VDC micro switch 2 pcs.

- 2) Air/Air (double effect) actuator or Air/Spring (single effect).

Shut Off Time (seconds)	1.5
Weight (kg)	2.5
Operating Air Pressure 6Kg/cm²	5-9 bar
Air Consumption at 5 bar	0.266 liters
Material	SS 304
Max Output Torque (N/M)	20