

Hose Ferrule Adapter

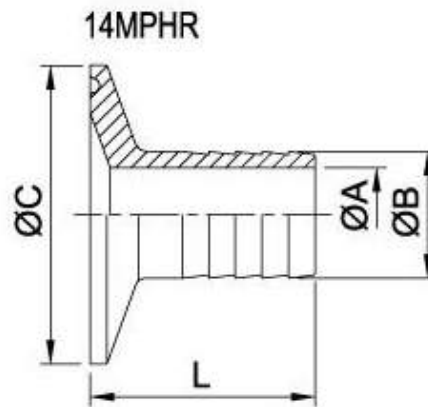
Our Food Grade Stainless Hose Ferrule Adapters can be used to connect hoses to your pipe line without any special tools.

Just attach a hose clip to your hose and adapter and its ready to use.

Size Availability- 0.5" to 4" (if you need other sizes, call us to request it

Material- SS 304 or SS 316L

Connection Availability- Ferrule end



Size	ØA	ØB	ØC	L
0.5"	9.5	13.7	25	38
0.75"	15.8	21.4	25	38
1"	20.6	25.4	50.5	43
1.5"	33.2	38.1	50.5	43
2"	46	50.8	64	58.7
2.5"	58.7	63.5	77.5	59.5
3"	72	76.2	91	78.6
4"	97.6	101.6	119	85.5