

# DIN Union

The **DIN** (Deutsches Institut für Normung / German Institute for Standardization) Union is comprised of a round slotted nut, male part, a liner, and a gasket.

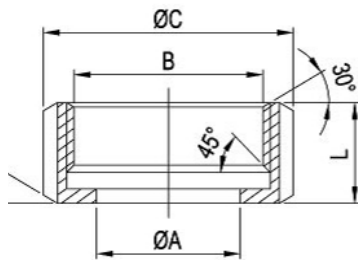
The male part and liner that comes in contact with the product come in SS 304 and SS 316L while the round nut is SS 304.

The gaskets comes in Teflon, BUNA, EPDM, Silicone, and Viton.

The easiest way to identify an DIN Union is its **D Shape Gasket**.



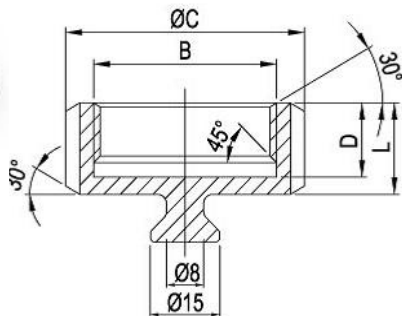
**N-13R**

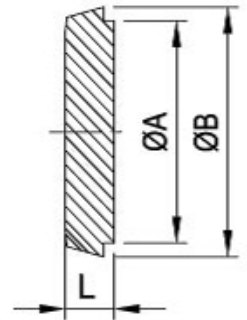
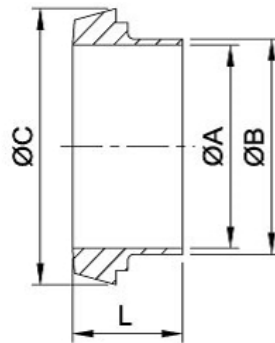


**DIN-13 Round Nut**

DIN	øA	B	øC	D	L	Slots
10	19	RD28x1/8	38	15	18	4
15	25	RD34x1/8	44	15	18	4
20	31	RD44x1/6	54	17	21	4
25	36	RD52x1/6	63	18	21	4
32	42	RD58x1/6	70	18	21	4
40	49	RD65x1/6	78	18	21	4
50	62	RD78x1/6	92	19	22	4
65	80	RD95x1/6	112	21	25	6
80	94	RD110x1/4	127	25	30	6
90	104	RD120x1/4	138	26	30	6
100	115	RD130x1/4	148	26	31	6
125	138	RD160x1/4	178	30	35	6
150	164	RD190x1/4	210	34	40	6

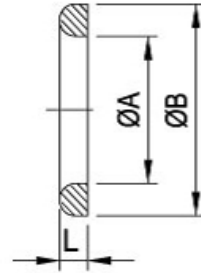
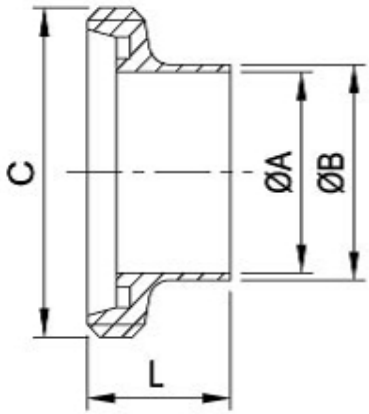
**DIN-13RBN**





DIN	DIN Welding Liner			
	øA	øB	øC	L
10	10	13	22.5	17
15	16	19	28.5	17
20	20	23	36.5	18
25	26	29	44	22
32	32	35	50	25
40	38	41	56	26
50	50	53	68.5	28
60	57	61	76	30
65	66	70	86	32
80	81	85	100	37
100	100	104	121	44
125	125	129	150	34
150	150	154	176	37

DIN-14B Blank			
Size	øA	øB	L
10	18	22	9
15	24	28	9
20	30	36	11
25	35	44	13
32	41	50	13
40	48	56	13
50	61	68	14
65	79	86	16
80	93	100	16
100	114	121	20
125	137	150	22
150	163	176	24



DIN	DIN Welding Male Part			
	øA	øB	C	L
10	10	13	RD28x1/8	21
15	16	19	RD34x1/8	21
20	20	23	RD44x1/6	24
25	26	29	RD52x1/6	29
32	32	35	RD58x1/6	32
40	38	41	RD65x1/6	33
50	50	53	RD78x1/6	35
60	57	61	RD85x1/6	36
65	66	70	RD95x1/6	40
80	81	85	RD110x1/4	45
90	89	93	RD120x1/4	54
100	100	104	RD130x1/4	54
125	125	129	RD160x1/4	46
150	150	154	RD190x1/4	50

DIN Seal Ring D Shape (EPDM, Silicon, Viton)			
Size	øA	øB	L
10	12	20	4.5
15	18	26	4.5
20	23	33	4.5
25	30	40	5
32	36	46	5
40	42	52	5
50	54	64	5
65	71	81	5
80	85	95	5
100	104	114	5
125	130	142	7
150	155	167	7